

Standard Details Plates

Street Detail Plates

TYPICAL STREET SECTION RESIDENTIAL	1001
TYPICAL STREET SECTION COMMERCIAL	1002
CONCRETE CURB AND GUTTER FOR STREETS.....	1003
SANITRAY SEWER AND WATER SERVICE CURB STAMP	1004

Sanitary Sewer Detail Plates

STANDARD SANITARY MANHOLE.....	2001
OUTSIDE DROP SANITARY MANHOLE.....	2002
SANITARY SEWER SERVICE	2003
SANITARY SEWER RISER.....	2004
PIPE BEDDING	2005
ROCK EXCAVATION	2006
INSULATION	2007
SANITARY SEWER SERVICE CLEAN OUT	2008
STRUCTURE MARKER SIGN	2009
STEEL CASING.....	2010

Storm Sewer Detail Plates

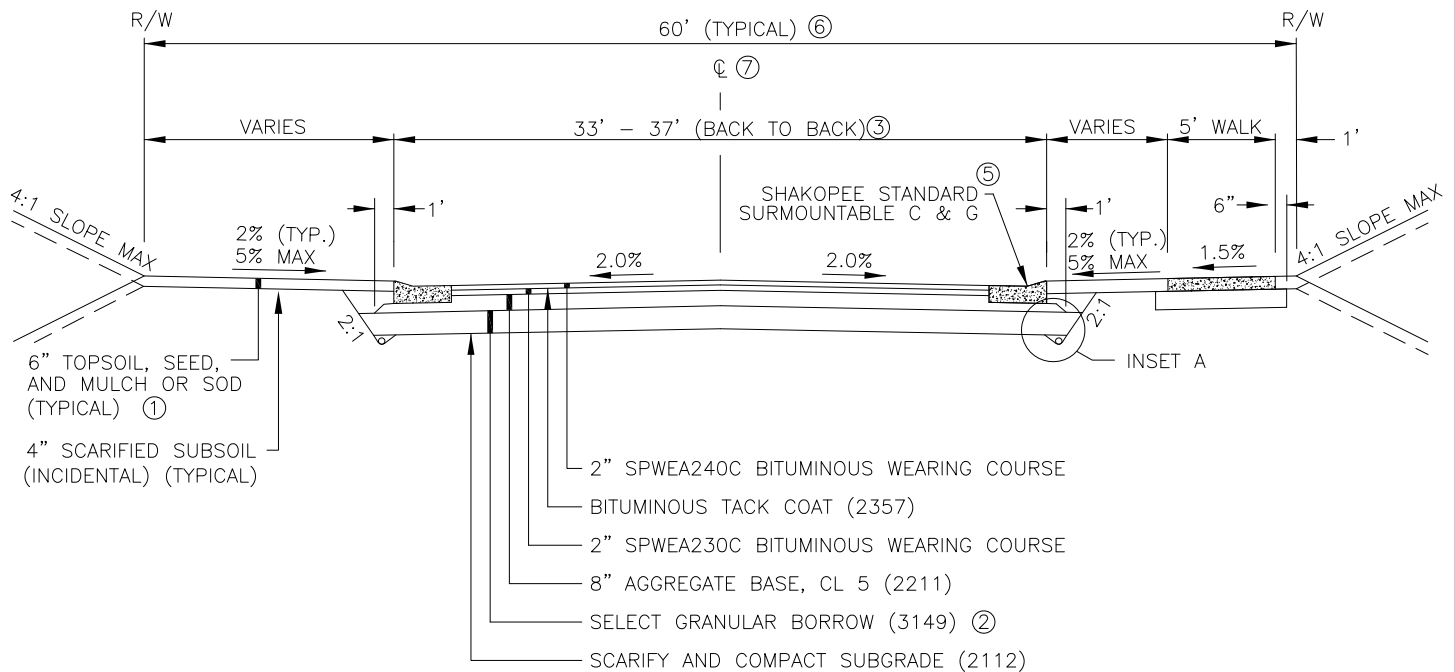
STANDARD MANHOLE FOR STORM SEWER.....	3001
2' x 3' CATCH BASIN.....	3002
CATCH BASIN MANHOLE	3003
27" CATCH BASIN	3004
MANHOLE DESIGN 4019/F.....	3005
TRASH GUARD FOR END SECTION.....	3006
PERFORATED DRAINTILE.....	3007
TRANSITION TO B618 CURB AT CATCH BASIN	3008
POND SKIMMER STRUCTURE.....	3009
SUMP DRAIN SERVICE CONNECTION	3010

Misc. Detail Plates

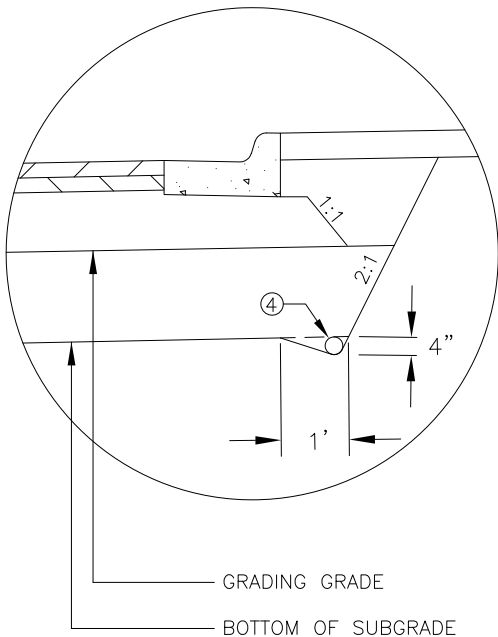
TYPICAL SIDEWALK.....	4001
BITUMINOUS TRAIL.....	4002
TYPICAL RESIDENTIAL DRIVEWAY	4003
TYPICAL RESIDENTIAL DRIVEWAY WITH SIDEWALK.....	4004
TYPICAL COMMERCIAL DRIVEWAY	4005
TYPICAL COMMERCIAL DRIVEWAY WITH SIDEWALK.....	4006
TYPICAL BARRICADE.....	4007
MAILBOX.....	4008
TRAFFIC SIGN INSTALLATION.....	4009

Small Utility Detail Plates

JOINT TRENCH FOR PRIVATE UTILITIES (GAS ROADSIDE)	5009
JOINT TRENCH FOR PRIVATE UTILITIES (GAS HOUSE SIDE)	5010
IRRIGATION CONDUIT AND STREET LIGHT CONDUIT	5011



INSET A



- ① SOD TO BE PLACED BEHIND CURB (36" MINIMUM).
- ② THE STANDARD SELECT GRANULAR SECTION IS 24". THE USE OF GEOTEXTILE FABRIC AND ADJUSTMENTS TO THE SELECT GRANULAR SECTION WILL BE CONSIDERED BY THE CITY ENGINEER, BASED ON EXISTING SUBSURFACE CONDITIONS AND THE PRESENCE AND ADEQUACY OF ON SITE GRANULAR SOILS THAT MEET THE SELECT GRANULAR SPECIFICATION.
- ③ STREET WIDTH AND RIGHT-OF-WAY WIDTH TO BE DETERMINED BY THE CITY ENGINEER. STREETS MUST BE PAVED IN NO MORE THAN TWO PASSES.
- ④ 4" PERFORATED PIPE WITH PROTECTIVE WRAP. INSTALL WHERE CLAY SOILS ARE ENCOUNTERED IN THE ROADWAY SUBGRADE AS DIRECTED BY THE CITY ENGINEER.
- ⑤ B618 CONCRETE CURB AND GUTTER IS REQUIRED AT ALL CURB RADII AND CATCH BASINS.
- ⑥ RIGHT-OF-WAY WIDTH TO BE DETERMINED AND COORDINATED WITH CITY ENGINEER (SEE COMPREHENSIVE PLAN).
- ⑦ CENTERLINE MUST BE CENTERED WITHIN RIGHT-OF-WAY.

NOTE:

- 1. THE PAVEMENT SECTION SHOWN IS A MINIMUM DESIGN. A BITUMINOUS PAVEMENT DESIGN MUST BE PERFORMED AND INCREASED ADJUSTMENTS WILL BE MADE BY THE CITY ENGINEER BASED ON THE TYPICAL DESIGN PARAMETERS AND OTHER CURRENT GUIDANCE (E.G. MNDOT RECOMMENDED PAVEMENT DESIGN STANDARDS).



TYPICAL STREET SECTION RESIDENTIAL

Steven L. Killebrew

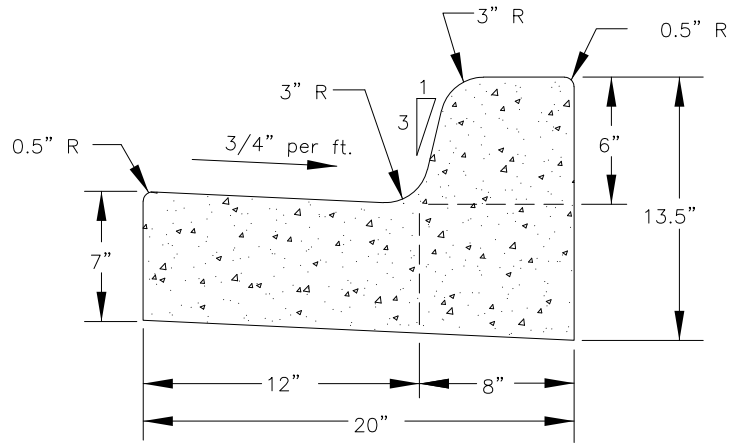
PUBLIC WORKS DIRECTOR/CITY ENGINEER

APPROVED: 05/2021

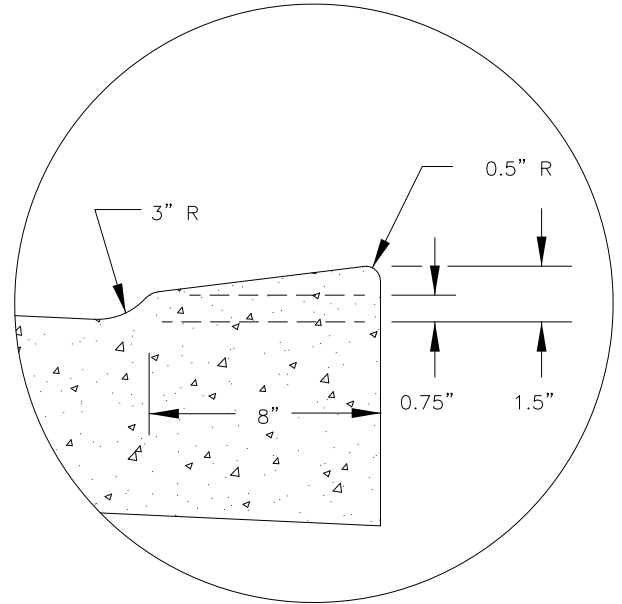
REVISED: 05/2021

DETAIL NO:

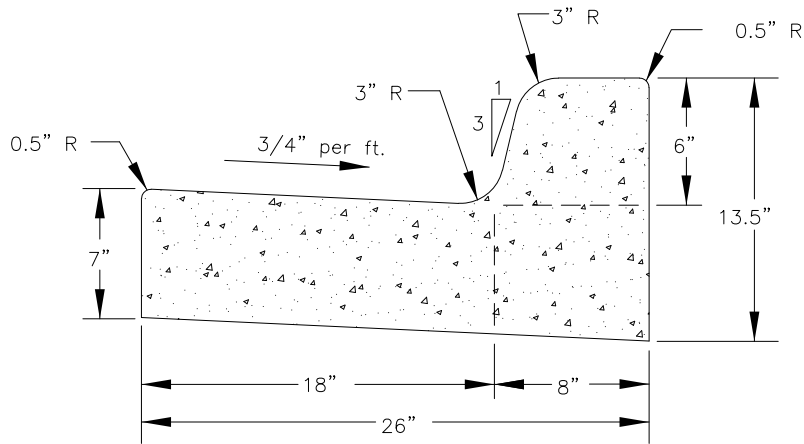
1001



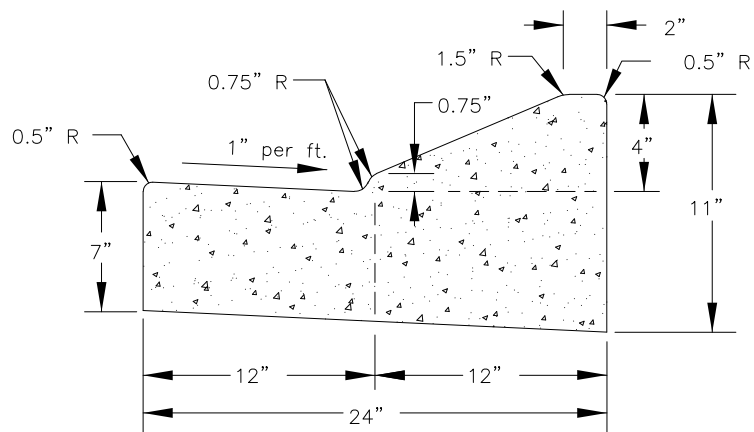
B-612



DETAIL OF TOP OF CURB AT DRIVEWAY OPENINGS.



B-618



SHAKOPEE
STANDARD SURMOUNTABLE



CONCRETE CURB & GUTTER FOR STREETS

Steven L. Lillehung

PUBLIC WORKS DIRECTOR/CITY ENGINEER

APPROVED: 02/2021

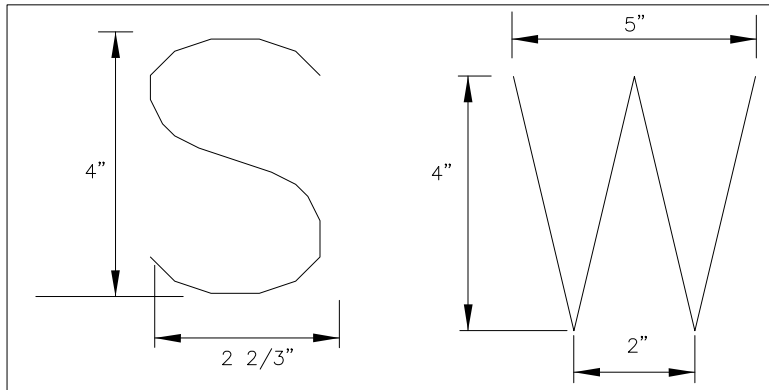
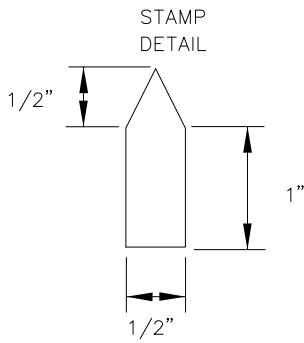
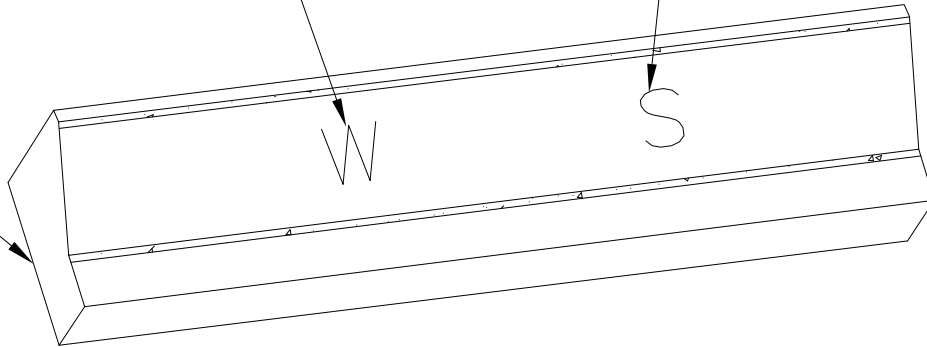
REVISED: 03/2020

DETAIL NO:
1003

STAMP "W" IN THE FACE OF THE CURB
LINE WITH CURB STOP LOCATION,
PERPENDICULAR TO CURBLINE

STAMP "S" IN THE FACE OF THE THE
CURB IN LINE WITH CLEANOUT LOCATION
PERPENDICULAR TO THE CURBLINE.

SHAKOPEE STANDARD
SURMOUNTABLE CURB



NOTE:

1. ALL NEW AND EXISTING WATER AND SEWER SERVICE LOCATIONS SHALL BE MARKED IN CURB AS SHOW. STAMPING OF SERVICE LOCATIONS SHALL BE CONSIDER INCIDENTAL TO THE PRICE OF CURB.
2. W'S AND S'S NOT PLACED BY SPECIFIED STAMP WILL NOT BE ACCEPTED AND THAT SECTION OF CURB MUST BE REMOVED AND REPLACED



SANITARY SEWER AND WATER SERVICE CURB STAMP

Steven L. Lillikang

PUBLIC WORKS DIRECTOR/CITY ENGINEER

APPROVED: 02/2021

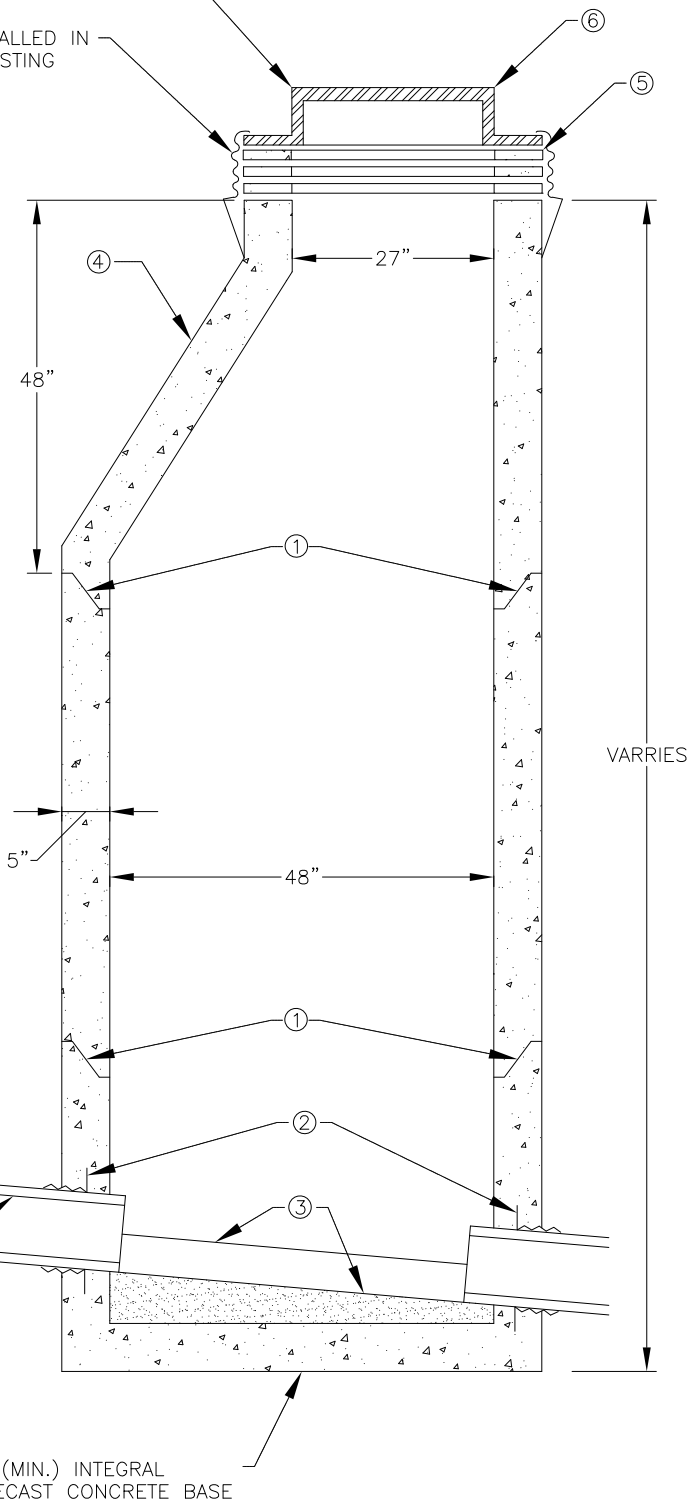
REVISED: 03/2020

DETAIL NO:
1004

NEENAH R-1642 (OR EQUAL)
 LETTERING TO READ SANITARY SEWER
 WITH CONCEALED PICKHOLES

AN APPROVED EXTERNAL SEAL MUST BE INSTALLED IN
 CONJUNCTION WITH ADJUSTING RINGS AND CASTING

- ① RUBBER GASKET.
- ② FLEXIBLE WATERTIGHT SEAL TO BE APPROVED BY THE ENGINEER.
- ③ SHAPE, DEPTH AND SLOPE OF INVERT TO BE APPROVED BY THE ENGINEER.
- ④ MNDOT TYPE "B" ECCENTRIC PRECAST CONCRETE CONE SECTION TYPICAL FOR ALL MANHOLES.
- ⑤ HDPE ADJUSTING RINGS MUST BE USED WITH A MINIMUM OF 4" AND A MAXIMUM OF 12" ADJUSTMENT. LARGER ADJUSTING RINGS MUST BE USED AS NECESSARY TO MINIMIZE THE NUMBER OF JOINTS. INCLUDE MIN. 1-2" RING IMMEDIATELY UNDER THE CASTING. USE TAPERED RINGERS TO MATCH CASTING TO STREET GRADE. APPLY BUTYL SEALANT BETWEEN ALL JOINTS.
- ⑥ AFTER COMPACTION THE FINAL LIFT WEAR ADJACENT TO MANHOLES MUST BE SLIGHTLY HIGHER BUT NOT TO EXCEED 1/4 INCH THAN THE SURFACE OF THE MANHOLE.



STANDARD SANITARY MANHOLE

Steven L. Lillie

PUBLIC WORKS DIRECTOR/CITY ENGINEER

APPROVED: 02/2021

REVISED: 02/2021

DETAIL NO:
 2001

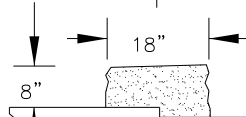
AFTER COMPACTION THE FINAL LIFT WEAR ADJACENT TO MANHOLES MUST BE SLIGHTLY HIGHER BUT NOT TO EXCEED 1/4 INCH THAN THE SURFACE OF THE MANHOLE.

HDPE ADJUSTING RINGS MUST BE USED WITH A MINIMUM OF 4" AND A MAXIMUM OF 12" ADJUSTMENT. LARGER ADJUSTING RINGS MUST BE USED AS NECESSARY TO MINIMIZE THE NUMBER OF JOINTS. INCLUDE MIN. 1-2" RING IMMEDIATELY UNDER THE CASTING. USE TAPERED RINGERS TO MATCH CASTING TO STREET GRADE. APPLY BUTYL SEALANT BETWEEN ALL JOINTS. AN APPROVED EXTERNAL SEAL MUST BE INSTALLED IN CONJUNCTION WITH ADJUSTING RINGS AND CASTING.

FLEXIBLE WATER TIGHT SEAL TO BE APPROVED BY THE ENGINEER.

20' MIN.

D.I.P. FROM TEE TO UNDISTURBED SOIL



8" FLOW D.I.P. TEE

UNDISTURBED SOIL

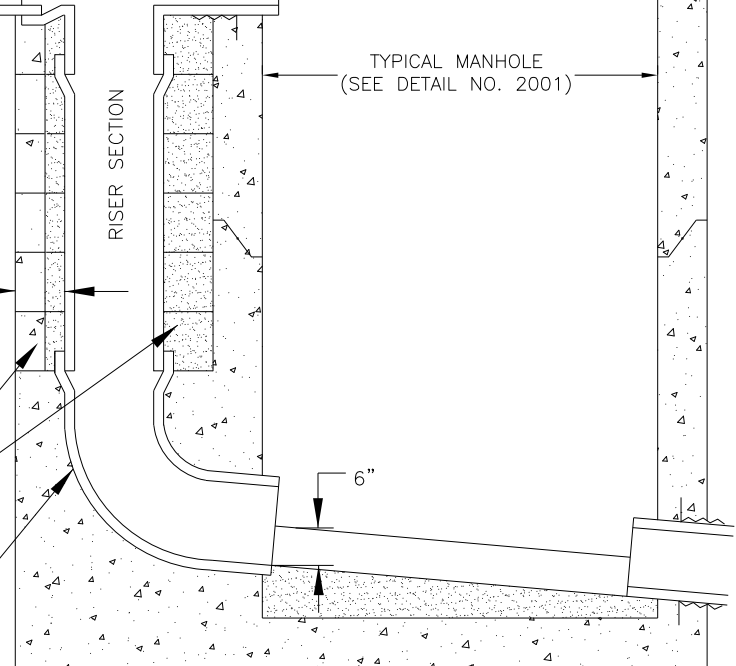
MUST USE AN APPROVED MANUFACTURED WATER TIGHT JOINT SLEEVE WITH CONCRETE COLLAR 18" WIDE AND 8" THICK. 3"x3" - 10/.10 MESH.

6" MIN.

PRECAST CONCRETE OUTSIDE DROP MANHOLE SECTIONS AND HORSESHOES

LONG RADIUS 90° BEND DIA. SAME AS INCOMING SEWER PIPE

TYPICAL MANHOLE (SEE DETAIL NO. 2001)



OUTSIDE DROP SANITARY MANHOLE

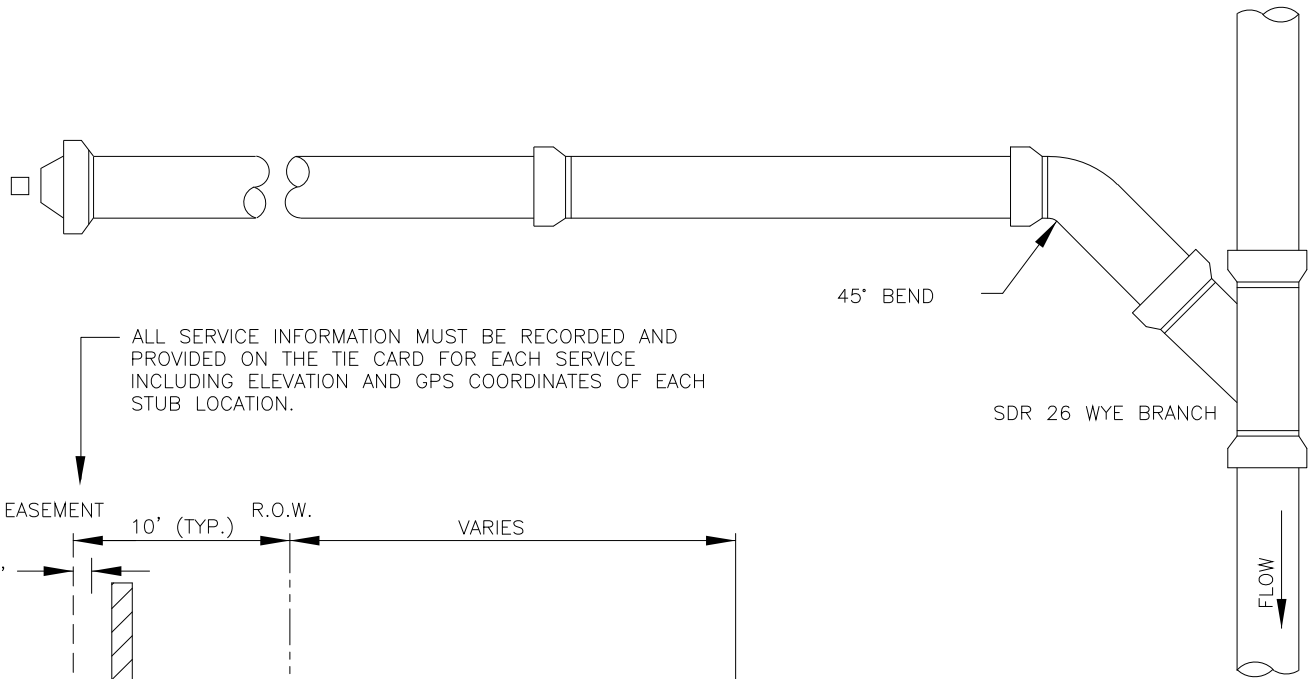
Steven L. Lillikang

PUBLIC WORKS DIRECTOR/CITY ENGINEER

APPROVED: 02/2021

REVISED: 02/2021

DETAIL NO:
2002



ALL SERVICE INFORMATION MUST BE RECORDED AND PROVIDED ON THE TIE CARD FOR EACH SERVICE INCLUDING ELEVATION AND GPS COORDINATES OF EACH STUB LOCATION.

EASEMENT 10' (TYP.) R.O.W. VARIES

1'

2'

6' SIDEWALK

45° BEND

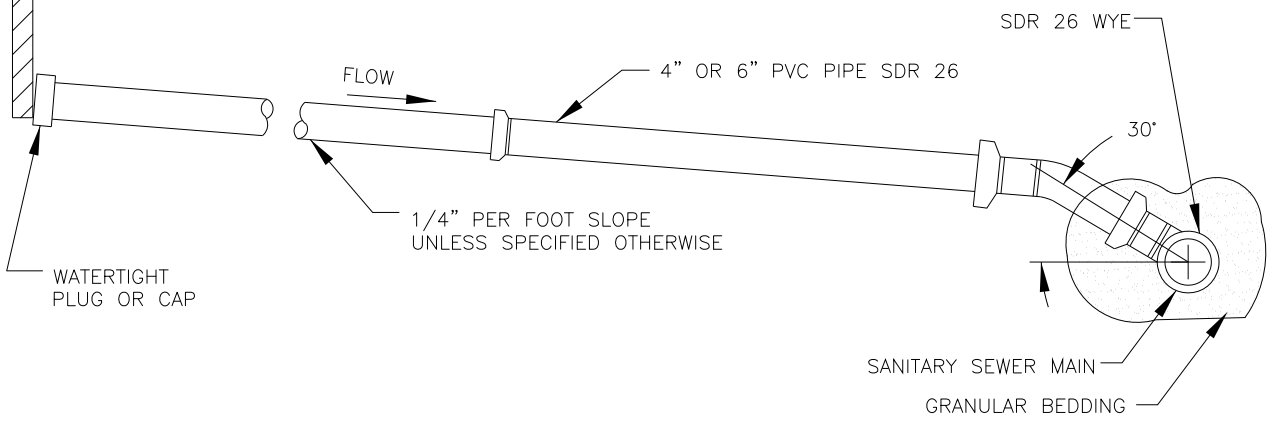
SDR 26 WYE BRANCH

FLOW

THE CURB MUST BE STAMPED "S" AT THE PRECISE CROSSING LOCATION. SEE DETAIL NO. 1004

2" x 2" MINIMUM SIZE MARKER INSTALLED VERTICALLY AT END OF SERVICE AND MUST EXTEND 4' ABOVE FINISH GROUND.

9' MINIMUM FROM PROPOSED GRADE TO INVERT.



SDR 26 WYE

FLOW

4" OR 6" PVC PIPE SDR 26

30°

1/4" PER FOOT SLOPE UNLESS SPECIFIED OTHERWISE

WATERTIGHT PLUG OR CAP

SANITARY SEWER MAIN

GRANULAR BEDDING



SANITARY SEWER SERVICE

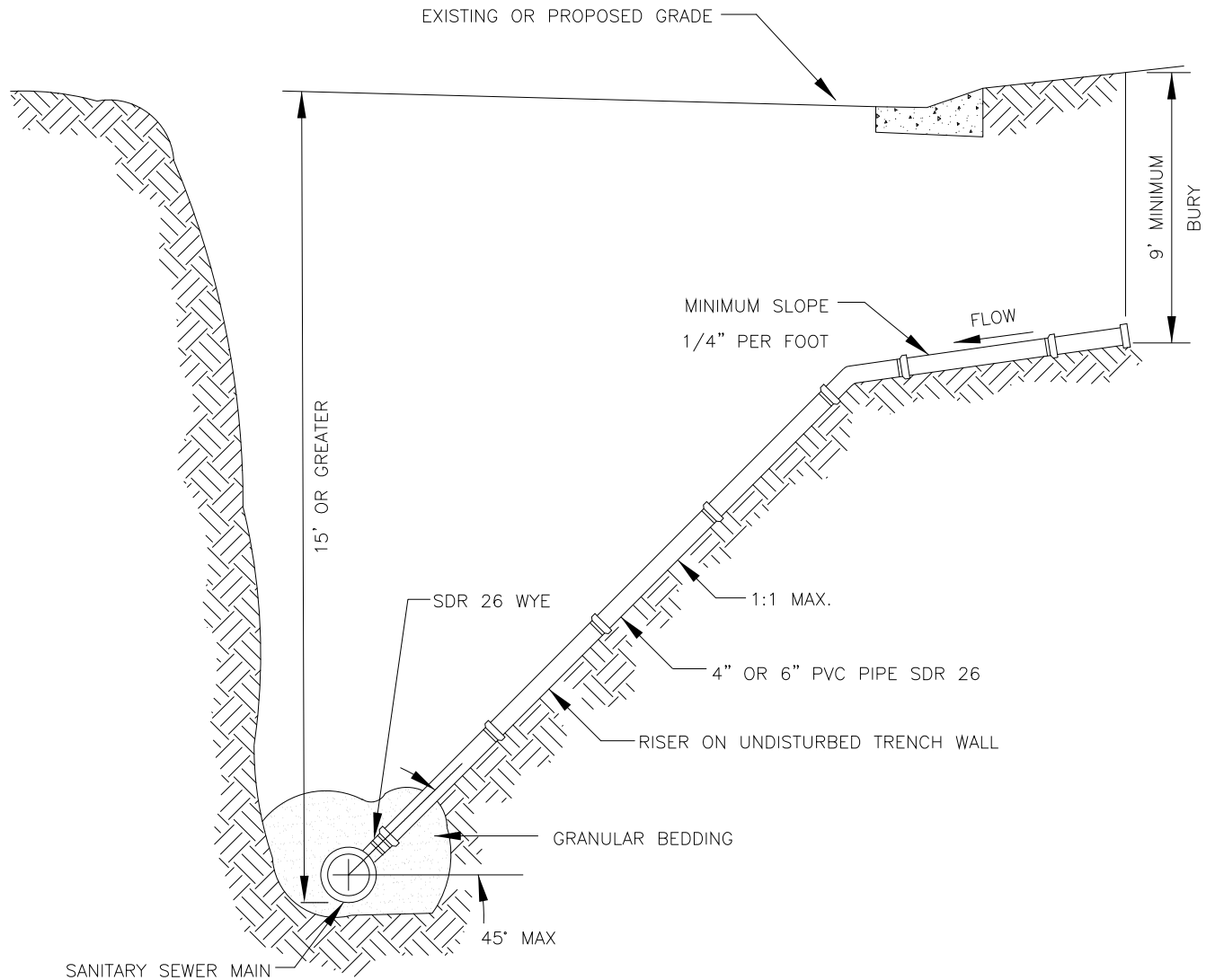
Steven L. Lillikang

PUBLIC WORKS DIRECTOR/CITY ENGINEER

APPROVED: 02/2021

REVISED: 03/2020

DETAIL NO:
2003



NOTE:

1. SEWER RISERS SHALL BE USED FOR SEWERS AT A DEPTH OF 15' OR GREATER
2. RISER INFORMATION MUST BE RECORDED AND PROVIDED ON THE TIE CARD.
3. WHEN THE SEWER MAIN IS DEEPER THAN 20' USE ROMAC COUPLER AT CONNECTION TO SANITARY SEWER MAIN.
4. STANDARD SEWER SERVICE REQUIREMENTS MUST ALSO BE MET PER DETAIL NO. 2003



SANITARY SEWER RISER

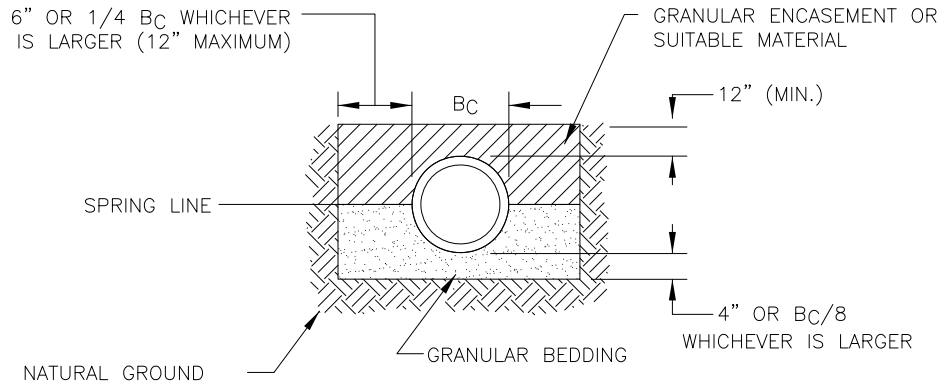
Steven L. Lillehung

PUBLIC WORKS DIRECTOR/CITY ENGINEER

APPROVED: 02/2021

REVISED: 03/2020

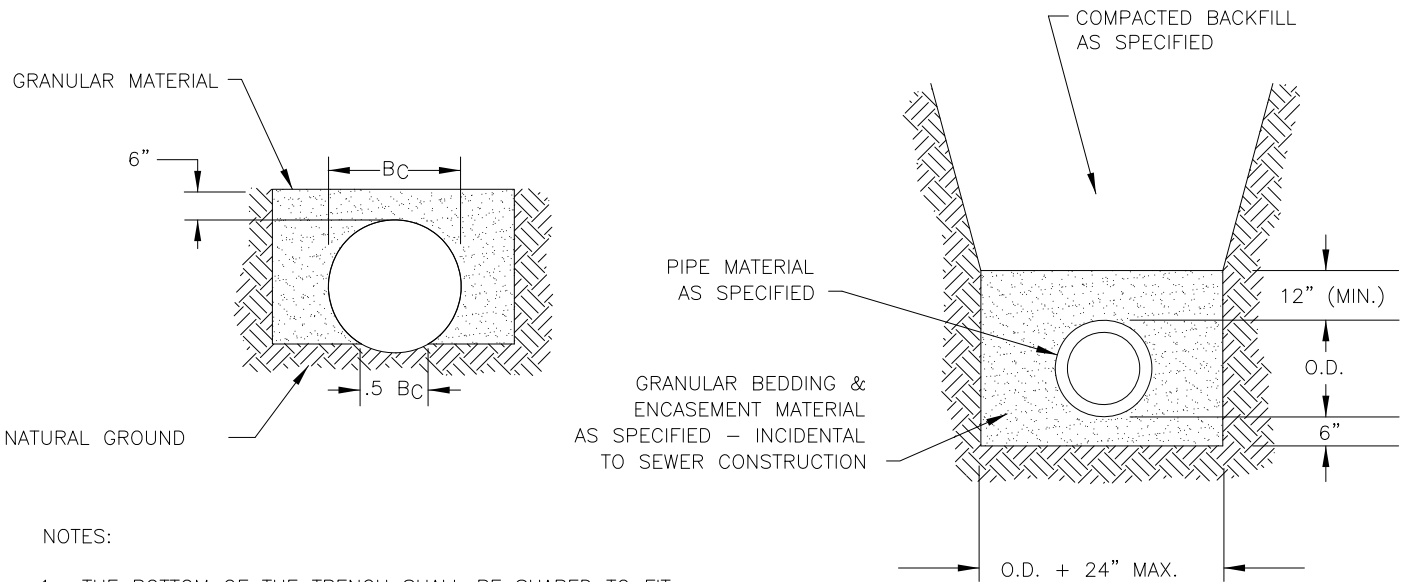
DETAIL NO:
2004



NOTE:

1. ALL COSTS OF EXCAVATION BELOW GRADE AND PLACEMENT OF GRANULAR BEDDING SHALL BE INCLUDED IN THE BID PRICES FOR PIPE ITEMS UNLESS SPECIFIC BID QUANTITIES ARE LISTED FOR GRANULAR BEDDING.

CLASS "B" PIPE BEDDING (RCP STORM PIPE)



NOTES:

1. THE BOTTOM OF THE TRENCH SHALL BE SHAPED TO FIT THE PIPE BARREL FOR AT LEAST 50% OF THE OUTSIDE DIAMETER. THE REMAINDER OF THE PIPE IS SURROUNDED TO HEIGHT OF AT LEAST 6" ABOVE IT'S TOP BY SELECT FILL MATERIALS, PLACED BY HAND TOOLS AND COMPACTED TO COMPLETELY FILL ALL SPACES UNDER AND ADJACENT TO THE PIPE.
2. ALL COSTS OF EXCAVATION BELOW GRADE AND PLACEMENT OF GRANULAR BEDDING SHALL BE INCLUDED IN THE BID PRICES FOR PIPE ITEMS.

PVC SANITARY SEWER

CLASS "C" PIPE BEDDING (RCP STORM PIPE)



PIPE BEDDING

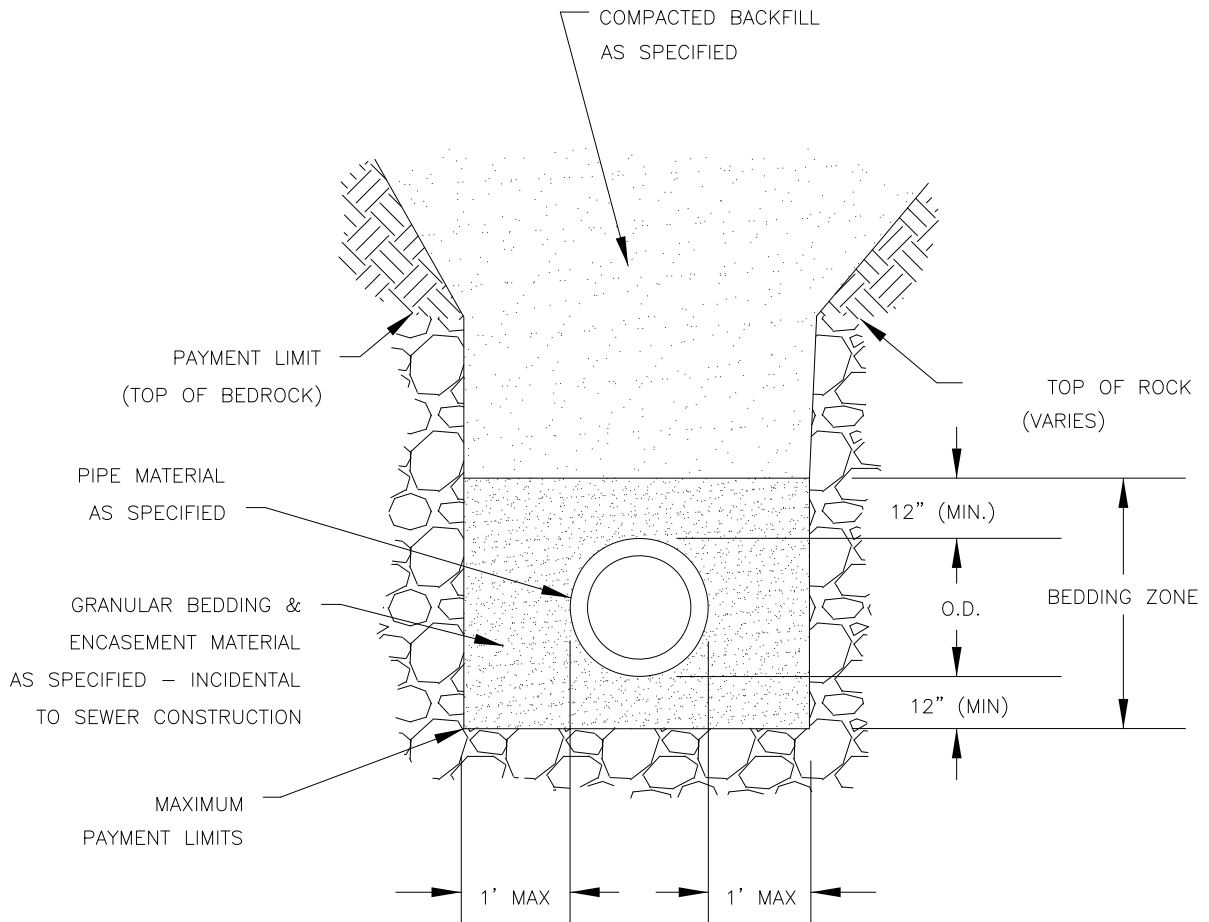
Steven L. Lillikang

PUBLIC WORKS DIRECTOR/CITY ENGINEER

APPROVED: 02/2021

REVISED: 03/2020

DETAIL NO:
2005



ROCK EXCAVATION

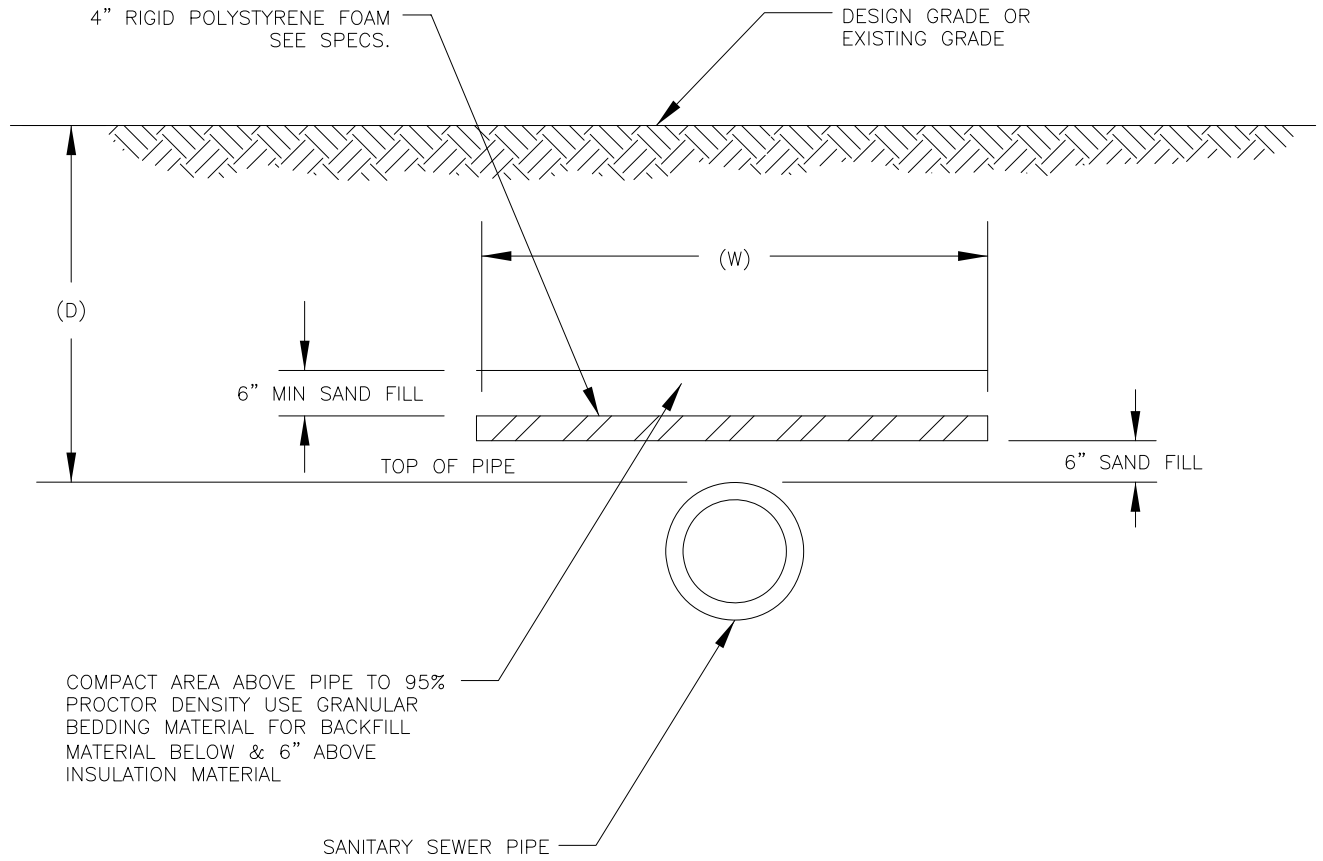
Steven L. Lillehung

PUBLIC WORKS DIRECTOR/CITY ENGINEER

APPROVED: 02/2021

REVISED: 03/2020

DETAIL NO:
2006



(D) DEPTH OF PIPE	(W) WIDTH OF INSULATION
2'	12'
3'	10'
4'	8'
5'	6'
6'	4'
7'	4'

NOTE:

1. THIS DETAIL IS NOT FOR NEW CONSTRUCTION. THIS IS FOR RETROFIT CONDITIONS BASED ON EXISTING SHALLOW DEPTH UTILITY CONDITIONS. IT SHALL NOT BE USED WITHOUT THE WRITTEN PERMISSION OF THE CITY ENGINEER.
2. ALL INSULATION SHALL HAVE A MINIMUM COMPRESSION STRENGTH OF 35 PSI.



INSULATION

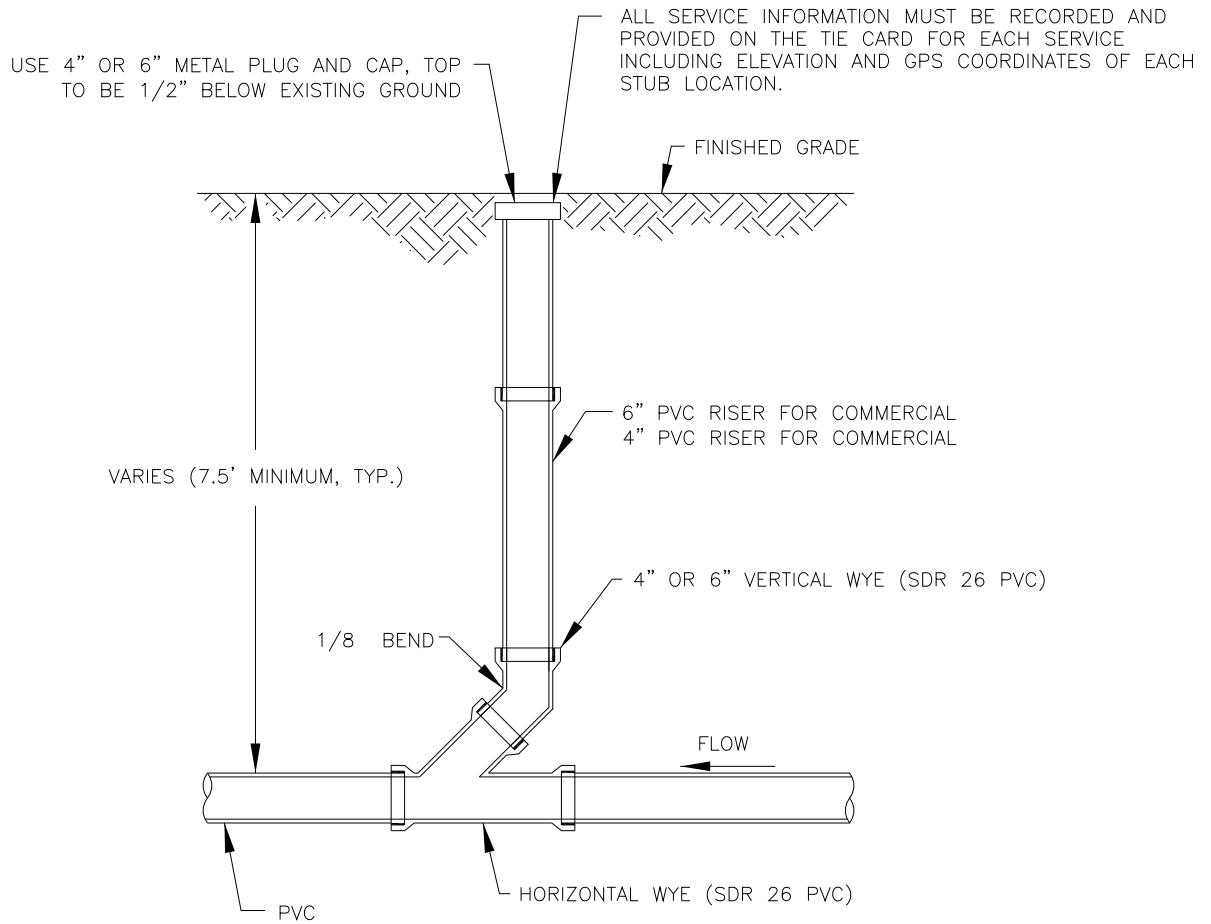
Steven L. Lillehung

PUBLIC WORKS DIRECTOR/CITY ENGINEER

APPROVED: 02/2021

REVISED: 03/2020

DETAIL NO:
2007



NOTE:

1. CLEAN OUTS REQUIRED AT MAXIMUM 70' INTERVALS FROM MAIN SEWER LINE



SANITARY SEWER SERVICE CLEAN OUT

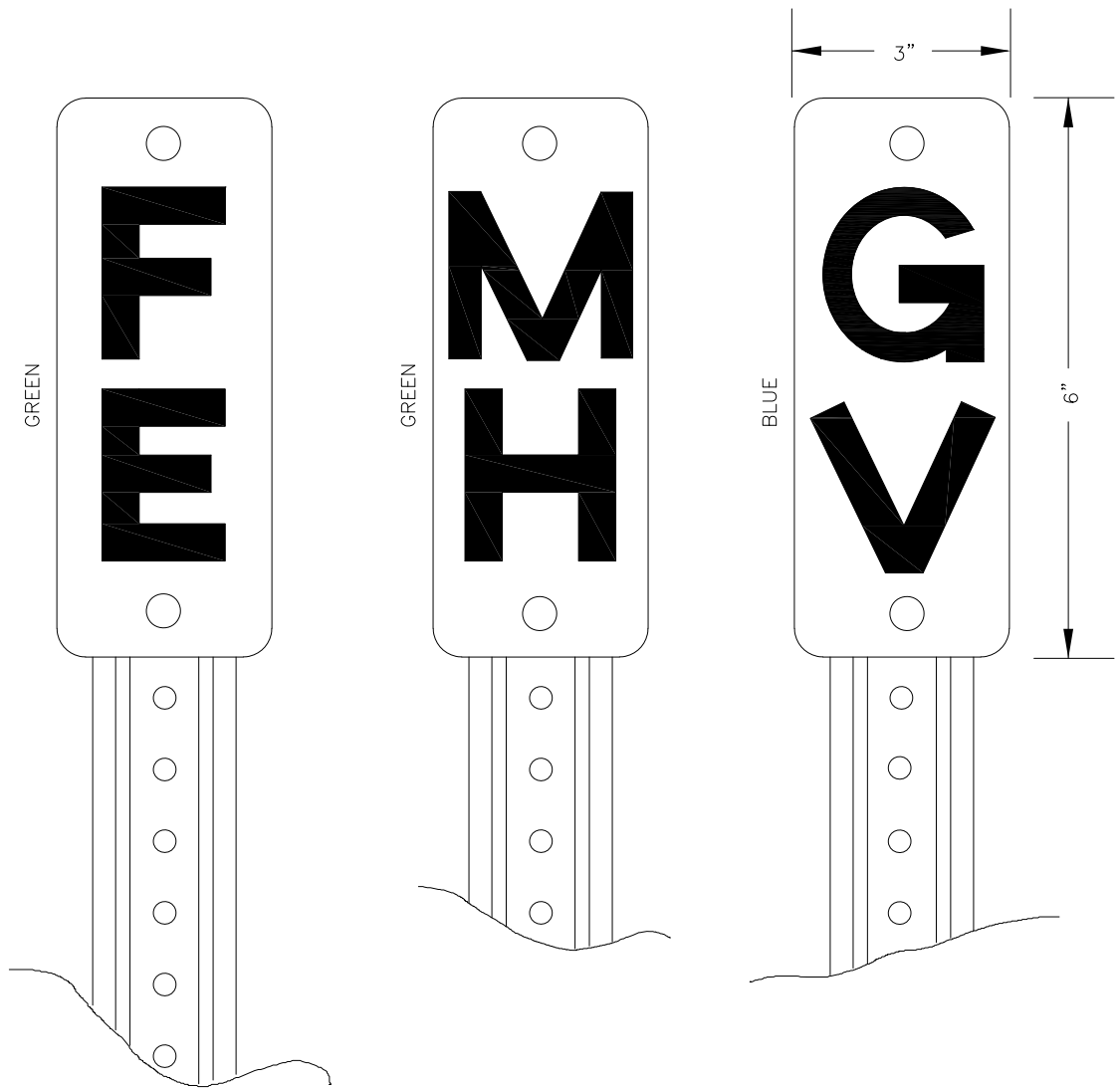
Steven L. Lillehung

PUBLIC WORKS DIRECTOR/CITY ENGINEER

APPROVED: 02/2021

REVISED: 03/2020

DETAIL NO:
2008



NOTE:

1. 3" X 6" STRUCTURE MARKER SIGNS SHALL BE FURNISHED AND INSTALLED FOR ALL STRUCTURES LOCATED OUTSIDE THE STREET RIGHT OF WAY AND SHALL BE CONSIDERED INCIDENTAL.
2. 0.063" THICK ALUMINUM SIGN. BLACK LETTERS ON GREEN OR BLUE HIGH INTENSITY REFLECTORIZED BACKGROUND.
3. U-CHANNEL POST. MINIMUM 1.2 LB./FT 6'-6" LONG, PAINTED GREEN.
4. FLARED END SECTION POST SHALL NOT BE POSITIONED IN A WAY THAT WILL BLOCK FLOW.



STRUCTURE MARKER SIGN

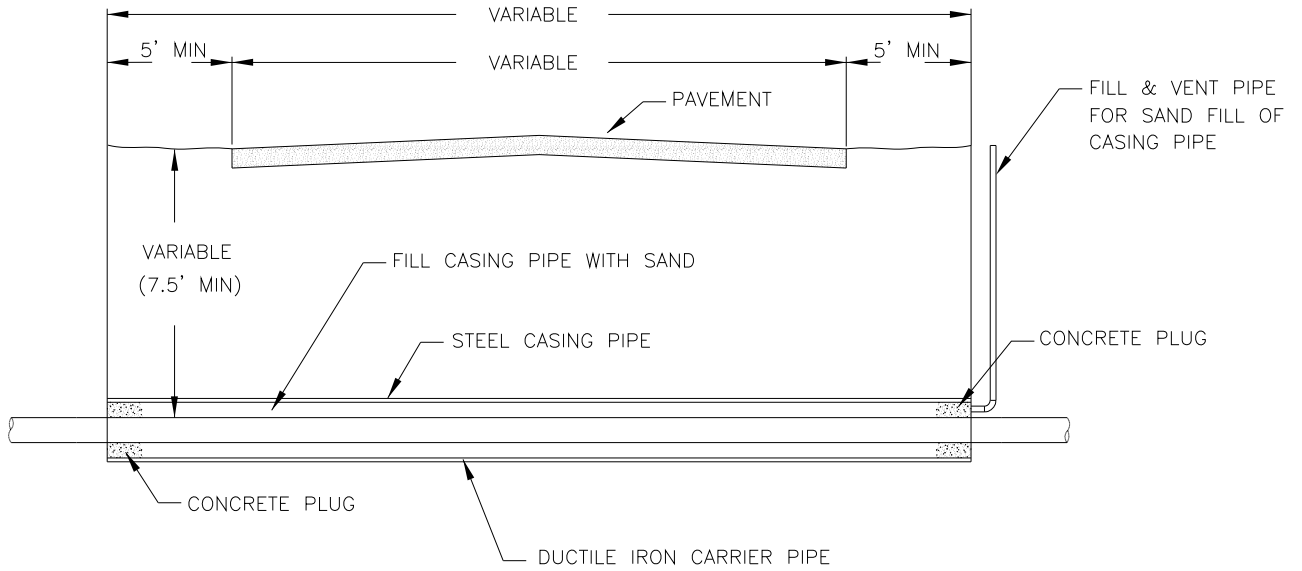
Steven L. Lillehung

PUBLIC WORKS DIRECTOR/CITY ENGINEER

APPROVED: 02/2021

REVISED: 03/2020

DETAIL NO:
2009



NOTE:

1. CASING PIPE SHALL BE INSTALLED AT THE SAME GRADE AS CARRIER PIPE TO AVOID THE USE OF SHIMS. TO BE VERIFIED PRIOR TO INSTALLATION OF THE CARRIER PIPE.
2. GPS COORDINATES AND TIES TO ENDS OF CASING PIPE SHALL BE RECORDED.

PIPE SIZE CHART

CARRIER PIPE	CASING DIAMETER	CASING THICKNESS
6"	18"	0.250
8"	22"	0.250
10"	22"	0.250
12"	26"	0.250
16"	30"	0.250
18"	30"	0.250



STEEL CASING

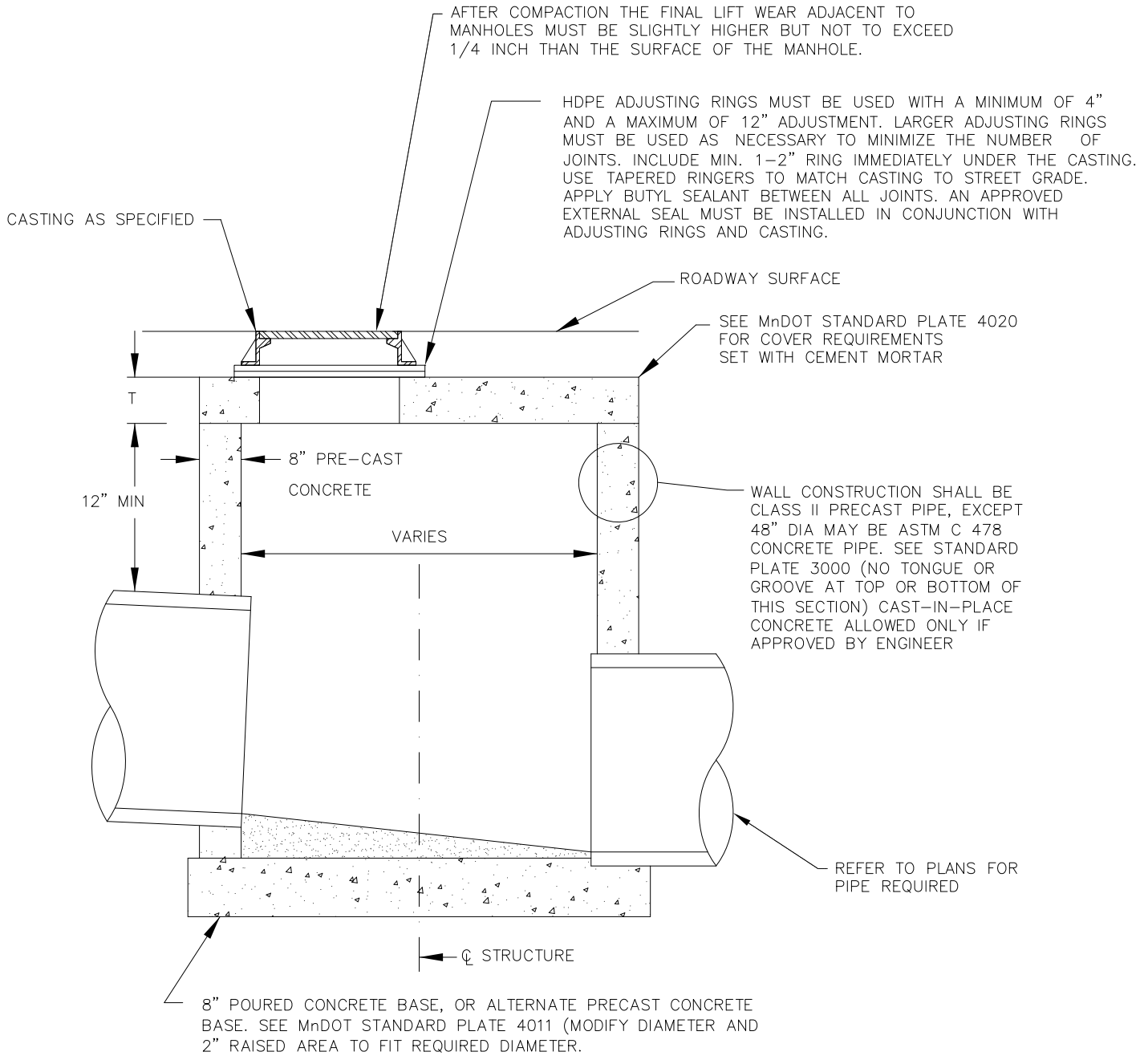
Steven L. Lillikang

PUBLIC WORKS DIRECTOR/CITY ENGINEER

APPROVED: 02/2021

REVISED: 03/2020

DETAIL NO:
2010



NOTES:

1. REFER TO STANDARD PLANS FOR HEIGHT AND DIAMETER REQUIRED.
2. REINFORCEMENT AS PER SPEC. 3301, GRADE 60.



STANDARD MANHOLE FOR STORM SEWER

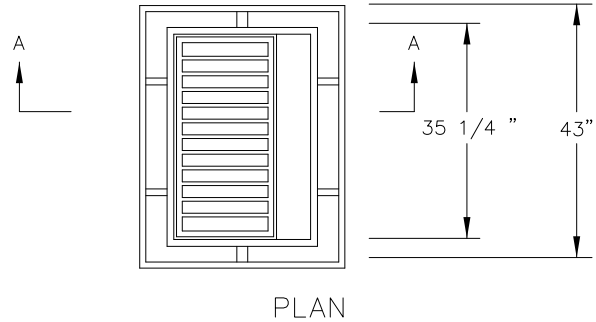
Steven L. Lillehung

PUBLIC WORKS DIRECTOR/CITY ENGINEER

APPROVED: 02/2021
REVISED: 02/2021
DETAIL NO: 3001

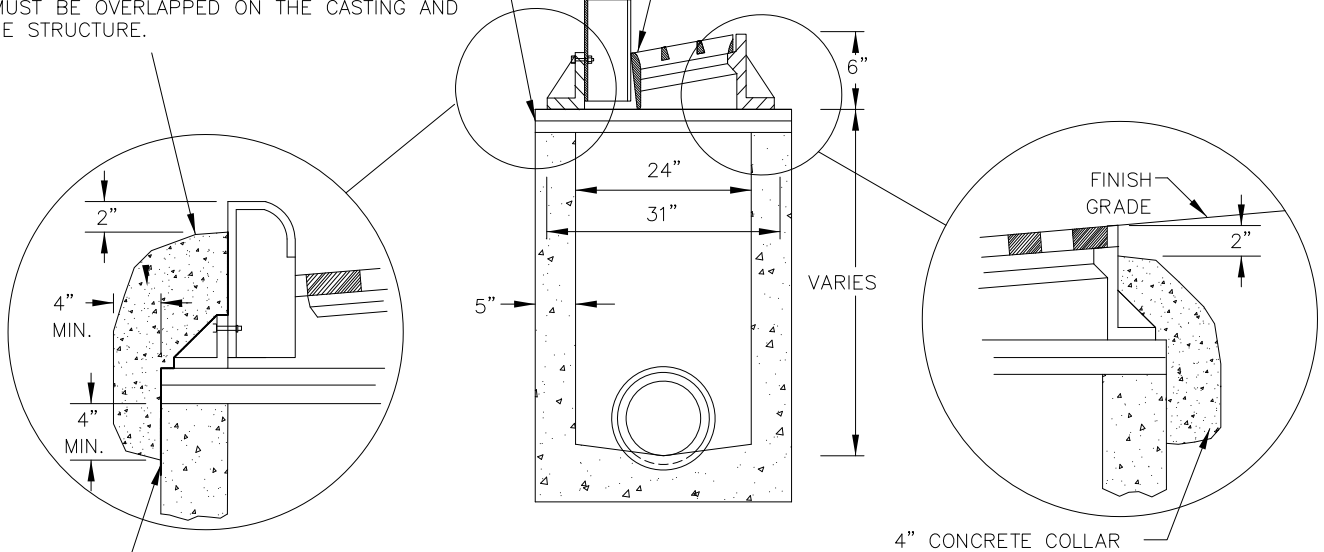
CURB INLET FRAME AND CURB BOX
 24"x36" SLAB OPENING FOR NEENAH R3067V
 OR ESS. BROS. 330 HIGH CAPACITY OR EQUAL.
 INSTALL R3290L FOR DRIVEWAYS AND VALLEY
 GUTTERS. VANE GRATE SHOWN

CONCRETE ADJUSTING RINGS
 2 RINGS (4") MIN
 18" MAX (INCLUDING CASTING)
 ENCASE IN CONCRETE
 COLLAR USE CONCRETE
 CURB MIX FOR COLLAR



AN APPROVED EXTERNAL SEAL MUST
 BE INSTALLED IN CONJUNCTION WITH ADJUSTING
 RINGS, CASTING, AND PROVIDE AN INTEGRAL 4"
 CONCRETE COLLAR TO BE POURED DURING CURB
 AND GUTTER INSTALLATION. EXTERNAL SEAL MUST
 BE INSTALLED PRIOR TO THE CONCRETE COLLAR
 AND MUST BE OVERLAPPED ON THE CASTING AND
 ON THE STRUCTURE.

ALL STORM SEWER CASTING ELEVATIONS
 SHOWN ON THE PLANS HAVE BEEN
 DEPRESSED 0.15' BELOW GUTTER ELEVATION.



EXTERNAL SEAL MUST BE
 INSTALLED PRIOR TO THE
 CONCRETE COLLAR AND MUST
 BE OVERLAPPED ON THE
 CASTING AND ON THE
 STRUCTURE.

NOTES:

1. MINIMUM REINFORCING SHALL BE WIRE FABRIC HAVING AN AREA OF NOT LESS THAN 0.12 SQ IN PER FOOT IN BOTH DIRECTIONS.
2. POUR A 3" TO 4" CONCRETE COLLAR AROUND RINGS EXTENDING FROM THE CASTING TO THE PRECAST SECTION.
3. REFER TO PLANS FOR THE PIPE REQUIRED.
4. ADJUSTING RINGS SHALL BE STACKED WITH NO MORE THAN 2" STAGGER PER RING, 6" TOTAL STAGGER FROM THE TOP SLAB OR STRUCTURE TO THE CASTING.
5. AFTER COMPACTION THE FINAL LIFT WEAR ADJACENT TO CATCH BASINS MUST BE SLIGHTLY HIGHER BUT NOT TO EXCEED 1/4 INCH THAN THE SURFACE OF THE CATCH BASIN.



2' X 3' CATCH BASIN

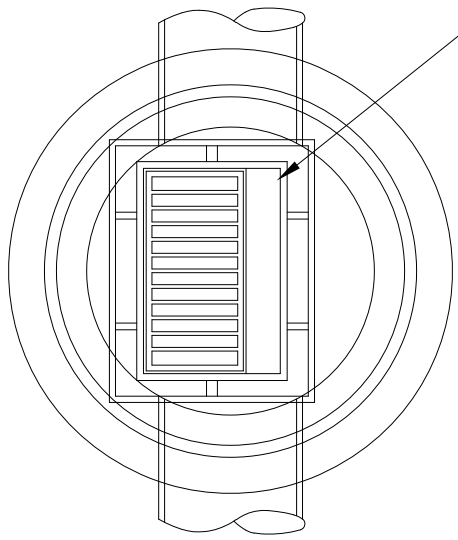
Steven L. Lillikang

PUBLIC WORKS DIRECTOR/CITY ENGINEER

APPROVED: 02/2021

REVISED: 02/2021

DETAIL NO:
3002



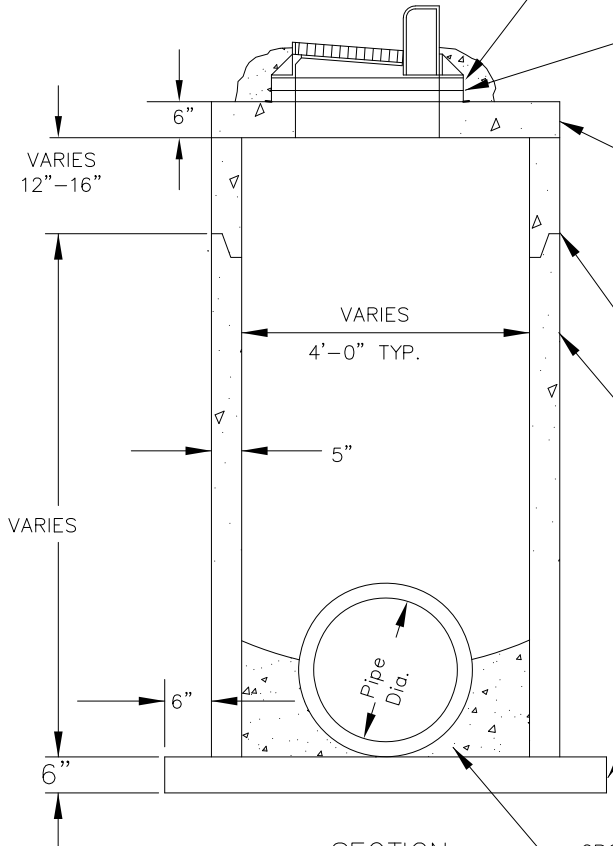
PLAN

24"x36" SLAB OPENING FOR NEENAH R3067V OR ESS. BROS. 330 HIGH CAPACITY OR EQUAL. INSTALL R3290L FOR DRIVEWAYS AND VALLEY GUTTERS. VANE GRATE SHOWN

DIMENSION FROM BACK OF CURB TO CENTER OF PIPE.

4' DIA. MH - 9" IN FROM BACK OF CURB
 5' DIA. MH - 3" IN FROM BACK OF CURB
 6' DIA. MH - 3" BEHIND BACK OF CURB
 7' DIA. MH - 9" BEHIND BACK OF CURB
 8' DIA. MH - 15" BEHIND BACK OF CURB

ALL STORM SEWER CASTING ELEVATIONS SHOWN ON THE PLANS HAVE BEEN DEPRESSED 0.15' BELOW GUTTER ELEVATION.



SECTION

AN APPROVED EXTERNAL SEAL MUST BE INSTALLED IN CONJUNCTION WITH ADJUSTING RINGS, CASTING, AND PROVIDE AN INTEGRAL 4" CONCRETE COLLAR TO BE POURED DURING CURB AND GUTTER INSTALLATION

CONCRETE ADJUSTING RINGS MINIMUM OF 2 RINGS (4") MAXIMUM OF 18" INCLUDING THE CASTING.

6" PRECAST REINFORCED CONCRETE SLAB WITH 2' X 3' OPENING, SET WITH CEMENT MORTAR. FOR 6' DIA. MANHOLE, AN 8" PRECAST SLAB IS REQUIRED.

ALL JOINTS IN MANHOLE TO HAVE "O" RING RUBBER GASKETS.

PRECAST CONCRETE SECTION

DOGHOUSES SHALL BE GROUTED ON BOTH THE OUTSIDE AND INSIDE.

CONCRETE CATCH BASIN MANHOLE AND BASE TO BE CRETEX TYPE 433B OR APPROVED EQUAL. MINIMUM SLAB THICKNESS, 6" FOR 14' DEPTH. INCREASE THICKNESS 1" FOR EACH 4' OF DEPTH GREATER THAN 14', AND REINFORCE WITH 6"x6" 10/10 MESH.

GROUT BOTTOM

NOTES:

1. BASE TO BE GROUTED TO FORM A SMOOTH INVERT TO OUTLET. PIPE CUT-OUTS TO BE LOCATED WHERE REQUIRED.
2. AFTER COMPACTION THE FINAL LIFT WEAR ADJACENT TO CATCH BASIN MANHOLES MUST BE SLIGHTLY HIGHER BUT NOT TO EXCEED 1/4 INCH THAN THE SURFACE OF THE CATCH BASIN.



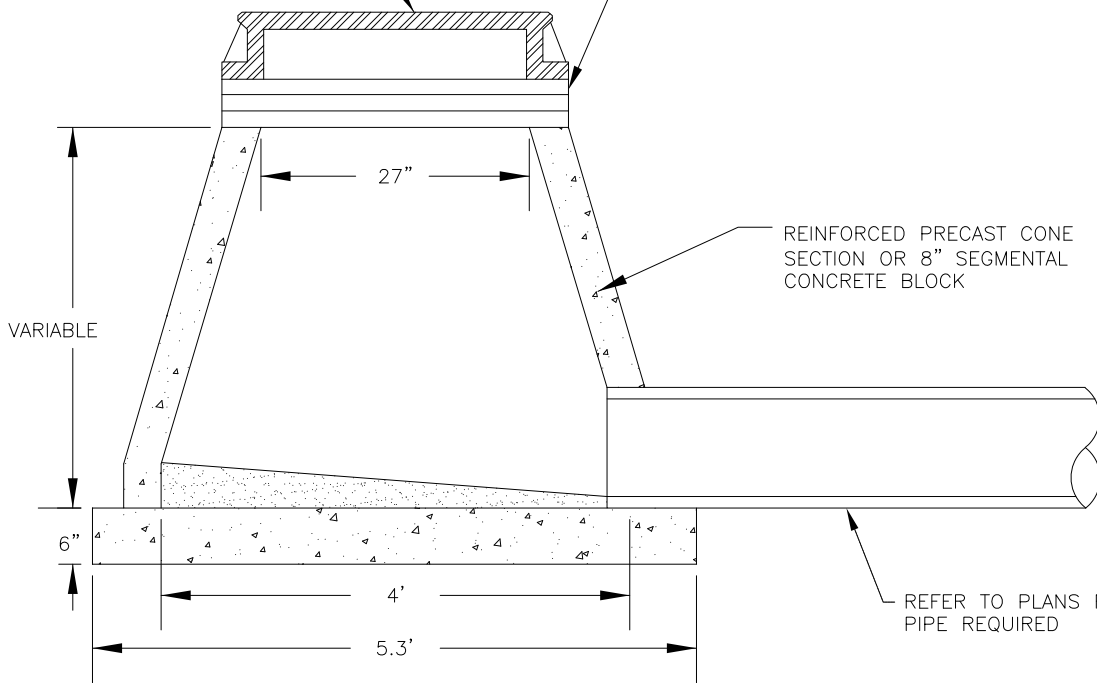
CATCH BASIN MANHOLE

Steven L. Lillehung
 PUBLIC WORKS DIRECTOR/CITY ENGINEER

APPROVED: 02/2021
REVISED: 02/2021
DETAIL NO: 3003

NEENAH R-4342 GRATE
OR APPROVED EQUAL

HDPE ADJUSTING RINGS MUST BE USED WITH A MINIMUM OF 4" AND A MAXIMUM OF 12" ADJUSTMENT. LARGER ADJUSTING RINGS MUST BE USED AS NECESSARY TO MINIMIZE THE NUMBER OF JOINTS. INCLUDE MIN. 1-2" RING IMMEDIATELY UNDER THE CASTING. USE TAPERED RINGERS TO MATCH CASTING TO STREET GRADE. APPLY BUTYL SEALANT BETWEEN ALL JOINTS. AN APPROVED EXTERNAL SEAL MUST BE INSTALLED IN CONJUNCTION WITH ADJUSTING RINGS AND CASTING.



REINFORCED PRECAST CONE SECTION OR 8" SEGMENTAL CONCRETE BLOCK

REFER TO PLANS FOR PIPE REQUIRED



27" CATCH BASIN

Steven L. Lillehung

PUBLIC WORKS DIRECTOR/CITY ENGINEER

APPROVED: 02/2021

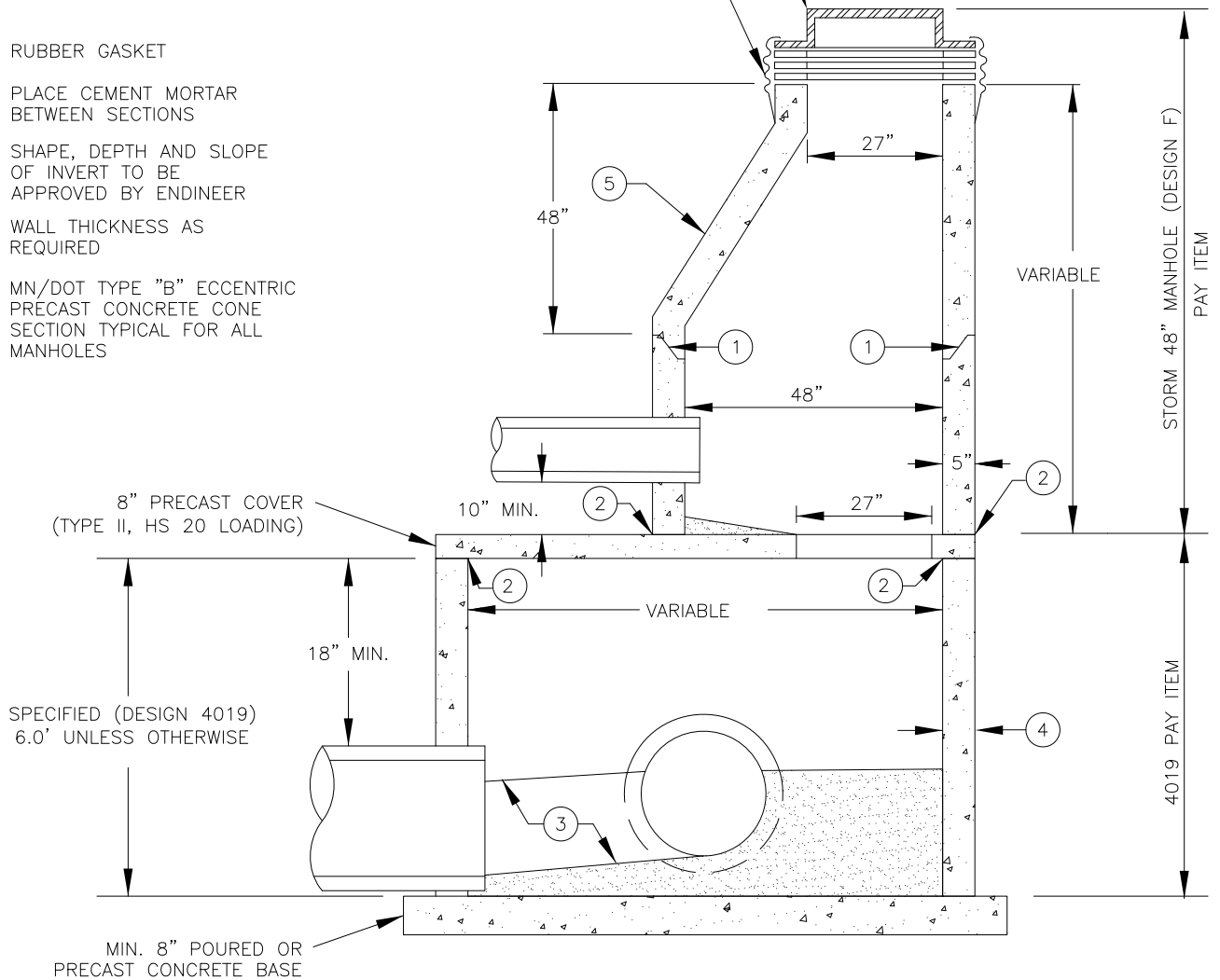
REVISED: 03/2020

DETAIL NO:
3004

AFTER COMPACTION THE FINAL LIFT WEAR ADJACENT TO MANHOLES MUST BE SLIGHTLY HIGHER BUT NOT TO EXCEED 1/4 INCH THAN THE SURFACE OF THE MANHOLE.

HDPE ADJUSTING RINGS MUST BE USED WITH A MINIMUM OF 4" AND A MAXIMUM OF 12" ADJUSTMENT. LARGER ADJUSTING RINGS MUST BE USED AS NECESSARY TO MINIMIZE THE NUMBER OF JOINTS. INCLUDE MIN. 1-2" RING IMMEDIATELY UNDER THE CASTING. USE TAPERED RINGERS TO MATCH CASTING TO STREET GRADE. APPLY BUTYL SEALANT BETWEEN ALL JOINTS. AN APPROVED EXTERNAL SEAL MUST BE INSTALLED IN CONJUNCTION WITH ADJUSTING RINGS AND CASTING.

- ① RUBBER GASKET
- ② PLACE CEMENT MORTAR BETWEEN SECTIONS
- ③ SHAPE, DEPTH AND SLOPE OF INVERT TO BE APPROVED BY ENGINEER
- ④ WALL THICKNESS AS REQUIRED
- ⑤ MN/DOT TYPE "B" ECCENTRIC PRECAST CONCRETE CONE SECTION TYPICAL FOR ALL MANHOLES



REFER TO PLANS FOR PIPE REQUIRED



MANHOLE DESIGN 4019/F

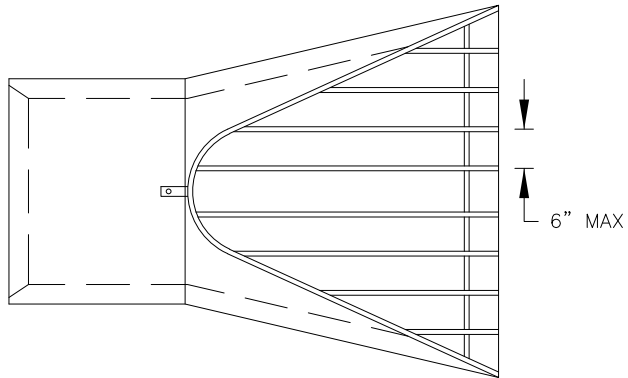
Steven L. Lillikang

PUBLIC WORKS DIRECTOR/CITY ENGINEER

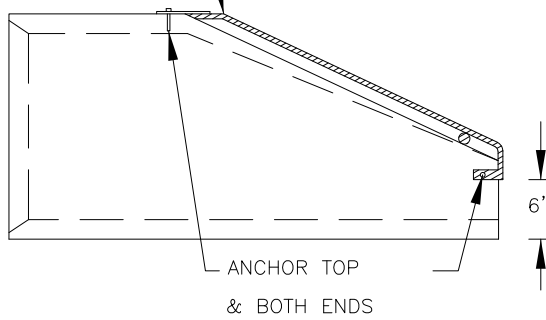
APPROVED: 02/2021

REVISED: 02/2021

DETAIL NO:
3005



TRANSVERSE & LONGITUDINAL BARS
 1" FOR 21" TO 42" APRONS
 1 1/4" FOR 42" & LARGER APRONS.



NOTES:

1. REFERENCE MNDOT STANDARD PLATE 3133D FOR RIPRAP DETAILS. ALL RIPRAP SHALL BE FIELDSTONE.
2. TRASH GUARD SHALL BE USED FOR 24" OR GREATER FLARED END.
3. ALL TRASH GUARDS SHALL BE GALVANIZED AFTER FABRICATION PER MNDOT SPEC. 3392 & 3394.
4. TIE LAST 3 PIPE JOINTS. USE 2 GALVANIZED TIE BOLT FASTENERS PER JOINT. INSTALL AT 60° FROM TOP TO BOTTOM OF PIPE.



TRASH GUARD FOR FLARED END SECTION

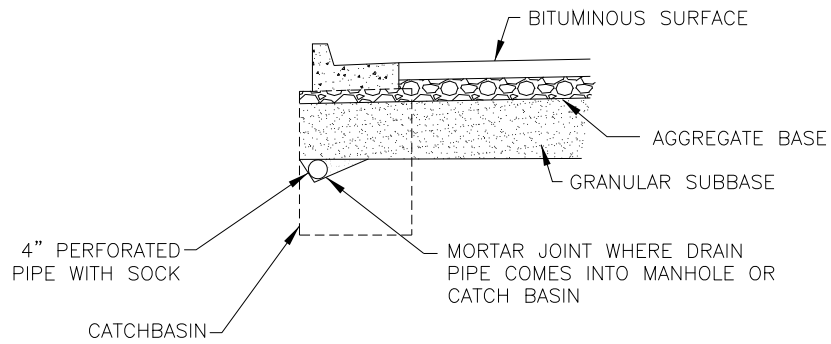
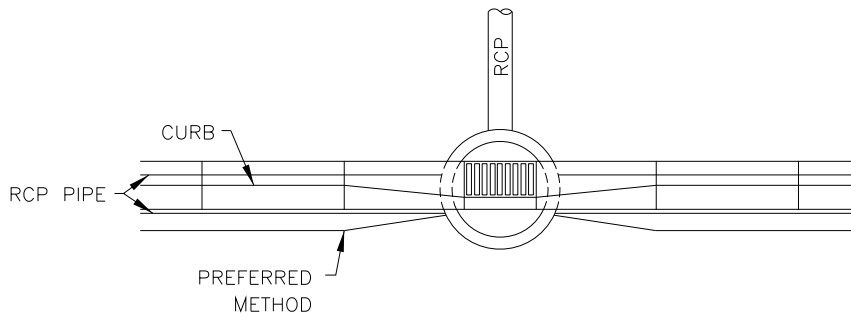
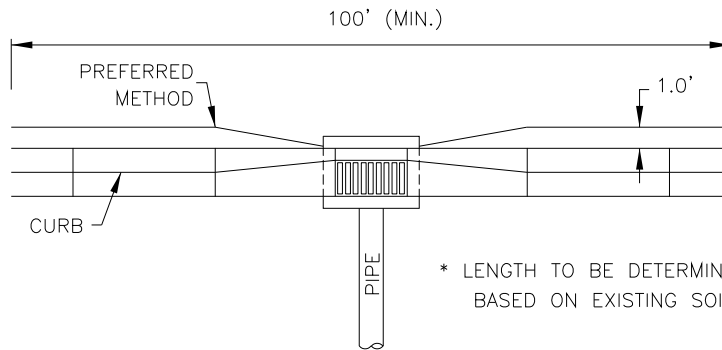
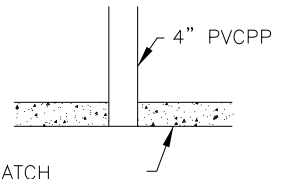
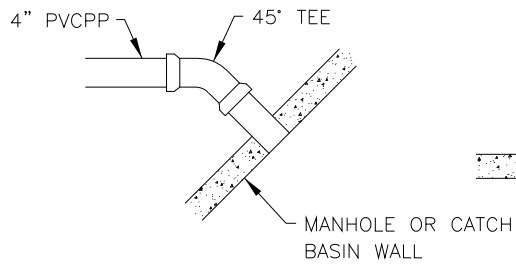
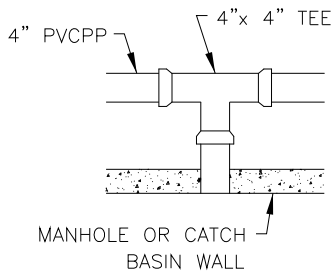
Steven L. Lillehung

PUBLIC WORKS DIRECTOR/CITY ENGINEER

APPROVED: 02/2021

REVISED: 03/2020

DETAIL NO:
3006



PERFORATED DRAINTILE

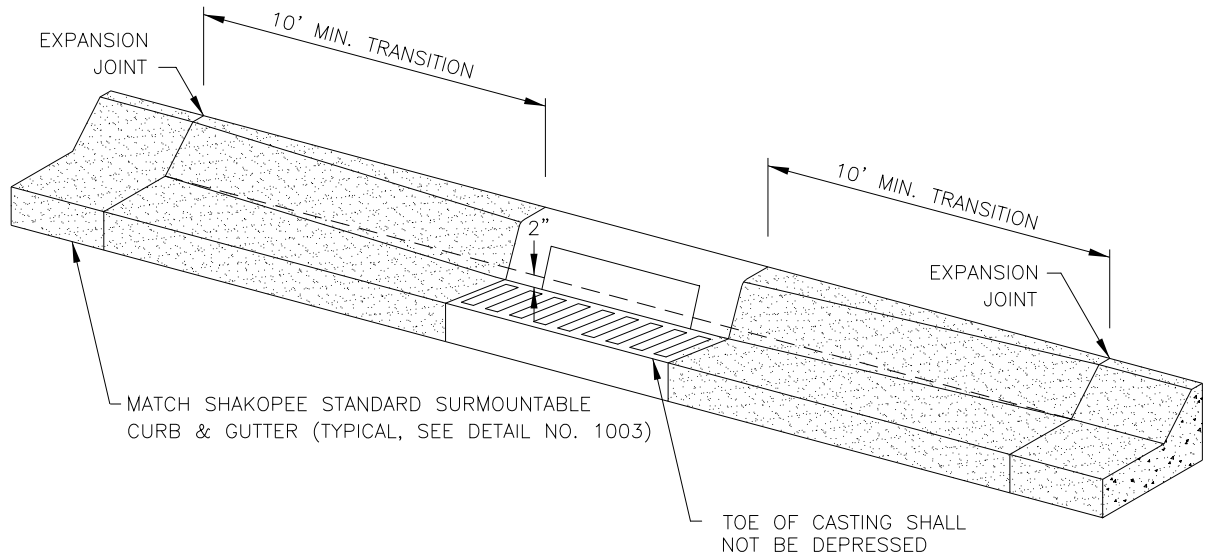
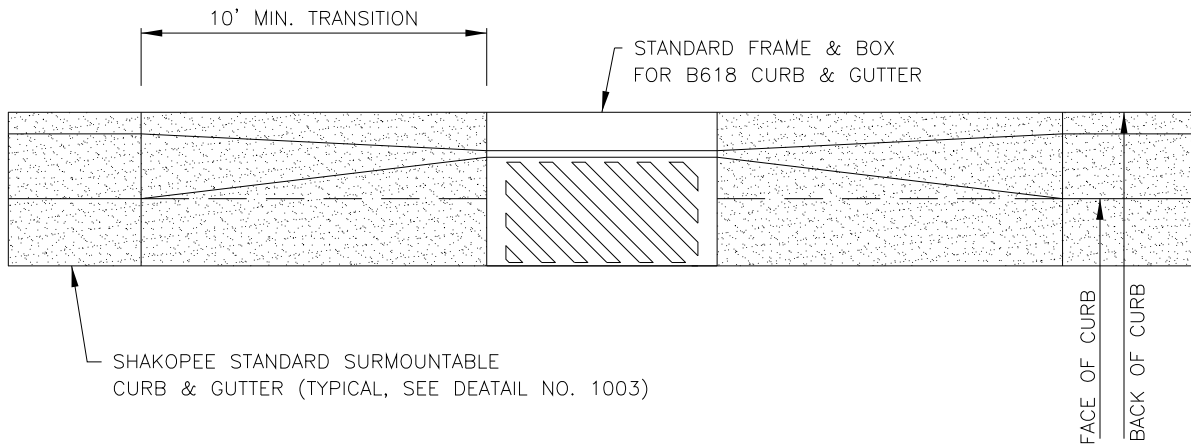
Steven L. Lillikang

PUBLIC WORKS DIRECTOR/CITY ENGINEER

APPROVED: 02/2021

REVISED: 03/2020

DETAIL NO:
3007



NOTE:

1. STORM SEWER TOP OF CASTING ELEVATION SHOWN ON THE PLANS INCLUDES A 0.15' DEPRESSION FROM THE PROPOSED GUTTER GRADE. THE CONCRETE CURB SHOULD BE TRANSITIONED FROM THE PROPOSED GUTTER GRADE TO THE CASTING ELEVATION 10' ON EACH SIDE OF THE CASTING.



TRANSITION TO B618 CURB AT CATCH BASIN

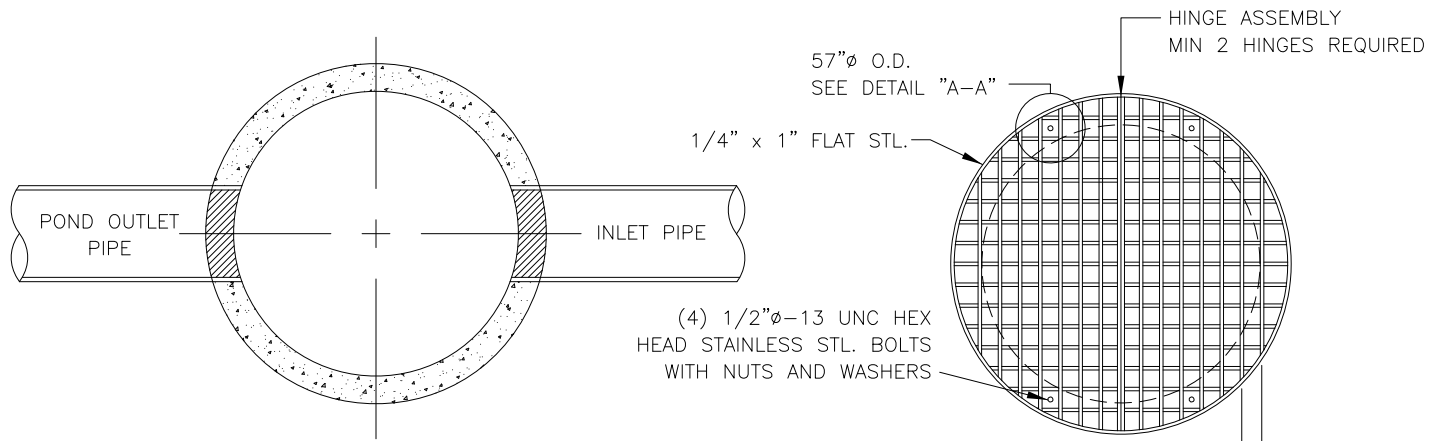
Steven L. Lillehung

PUBLIC WORKS DIRECTOR/CITY ENGINEER

APPROVED: 02/2021

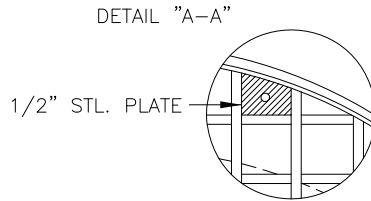
REVISED: 03/2020

DETAIL NO:
3008

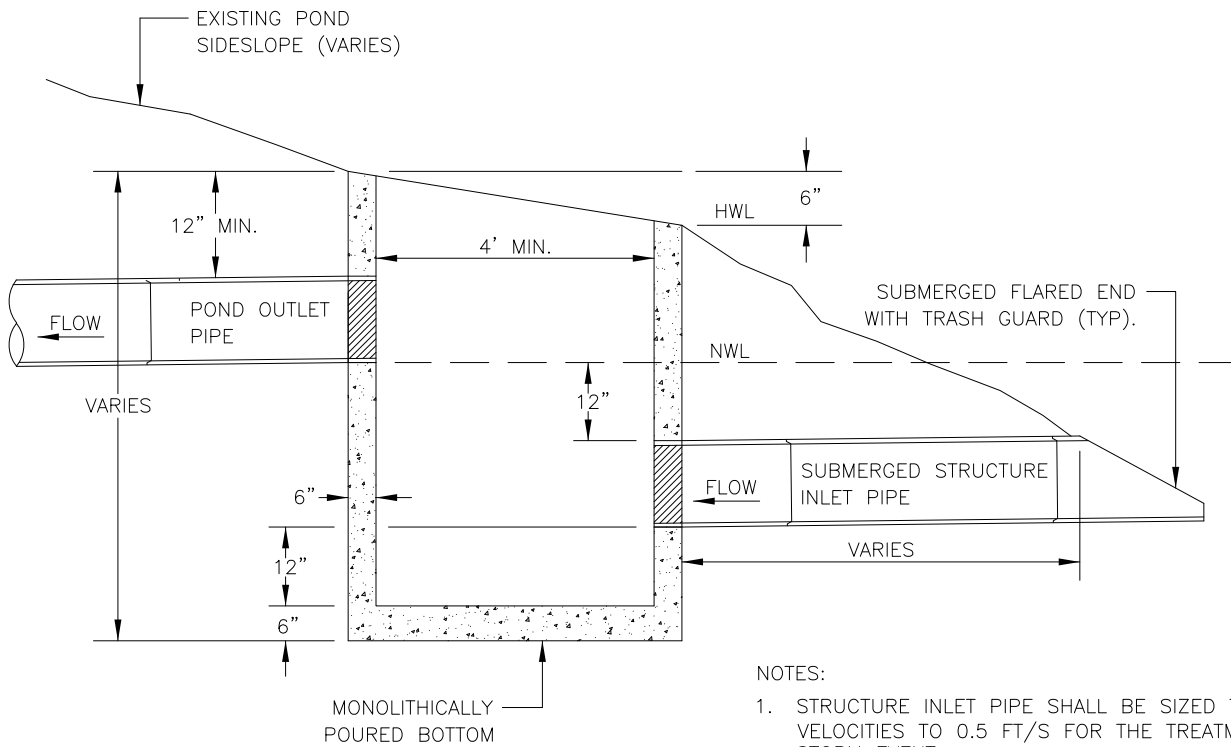


NOTES:

1. GRATE TO BE MADE IN (2) PIECES.
2. ALL METAL SHALL BE HOT-DIPPED GALVANIZED.
3. SEE PLAN FOR ALL ELEVATIONS.



TOP VIEW



NOTES:

1. STRUCTURE INLET PIPE SHALL BE SIZED TO LIMIT VELOCITIES TO 0.5 FT/S FOR THE TREATMENT STORM EVENT.
2. POND OUTLET SHALL BE SIZED TO MEET RATE CONTROL REQUIREMENTS.
3. TIE THE LAST 3 PIPE JOINTS. USE 2 TIE BOLT FASTENERS PER JOINT.

SECTION VIEW



POND SKIMMER STRUCTURE

Steven L. Lillikang

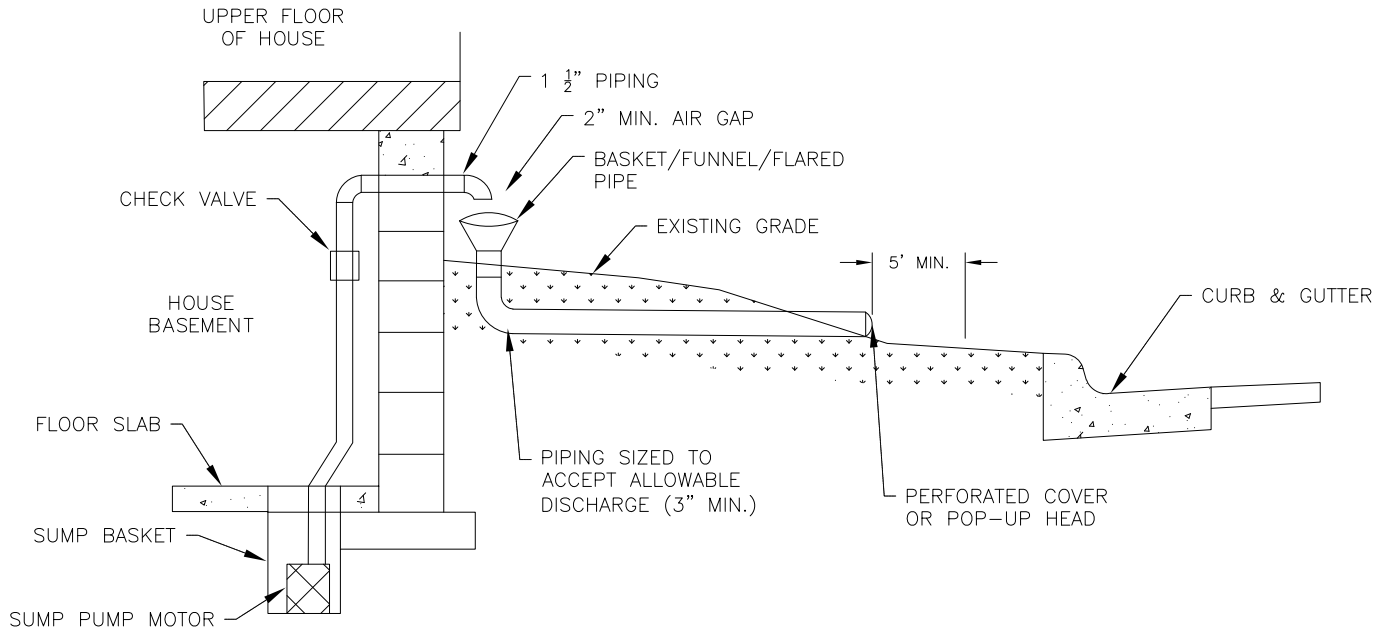
PUBLIC WORKS DIRECTOR/CITY ENGINEER

APPROVED: 02/2021

REVISED: 03/2020

DETAIL NO:
3009

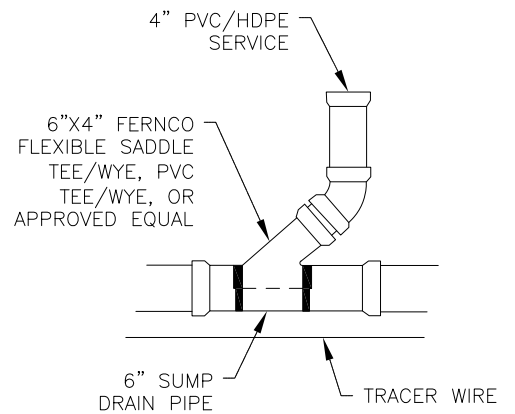
UNCONNECTED SUMP DRAIN SERVICE



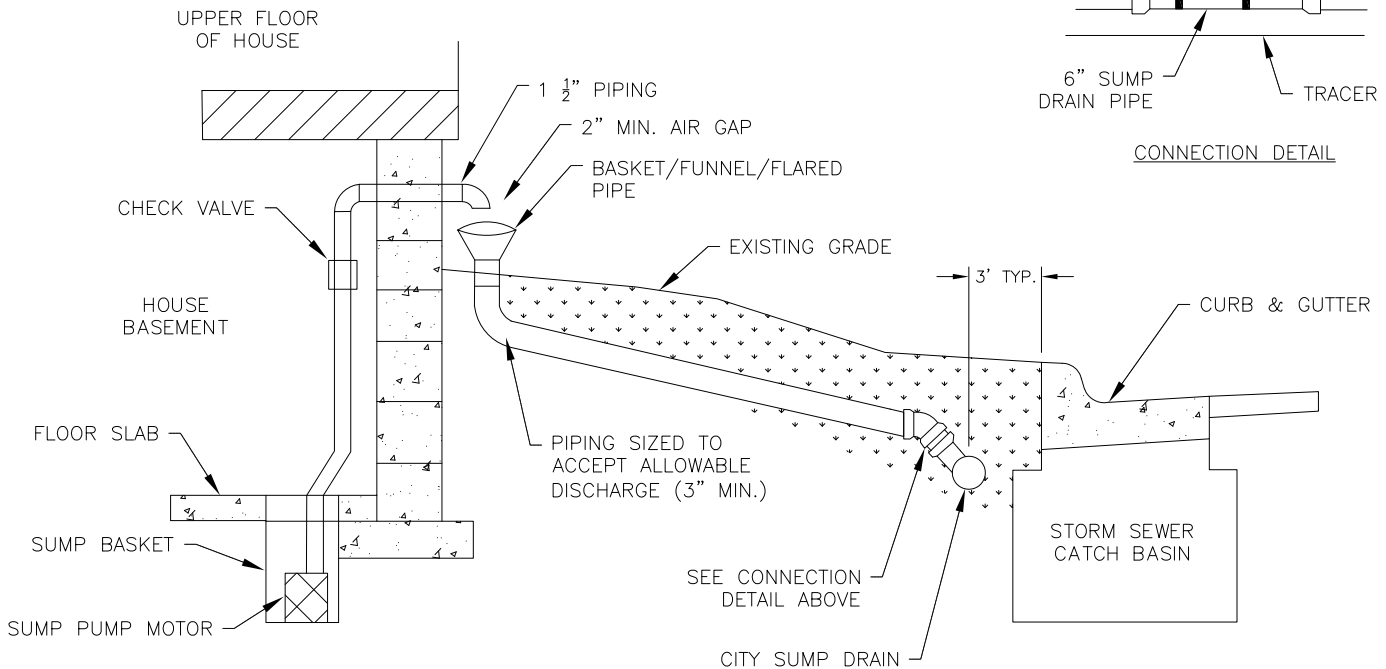
CONNECTED SUMP DRAIN SERVICE

NOTES:

1. SUMP PUMP CONNECTION PERMIT REQUIRED PRIOR TO EXCAVATION.
2. CONNECTION SHALL BE INSPECTED AND APPROVED BY CITY STAFF PRIOR TO BACKFILLING.



CONNECTION DETAIL



SUMP DRAIN SERVICE CONNECTION

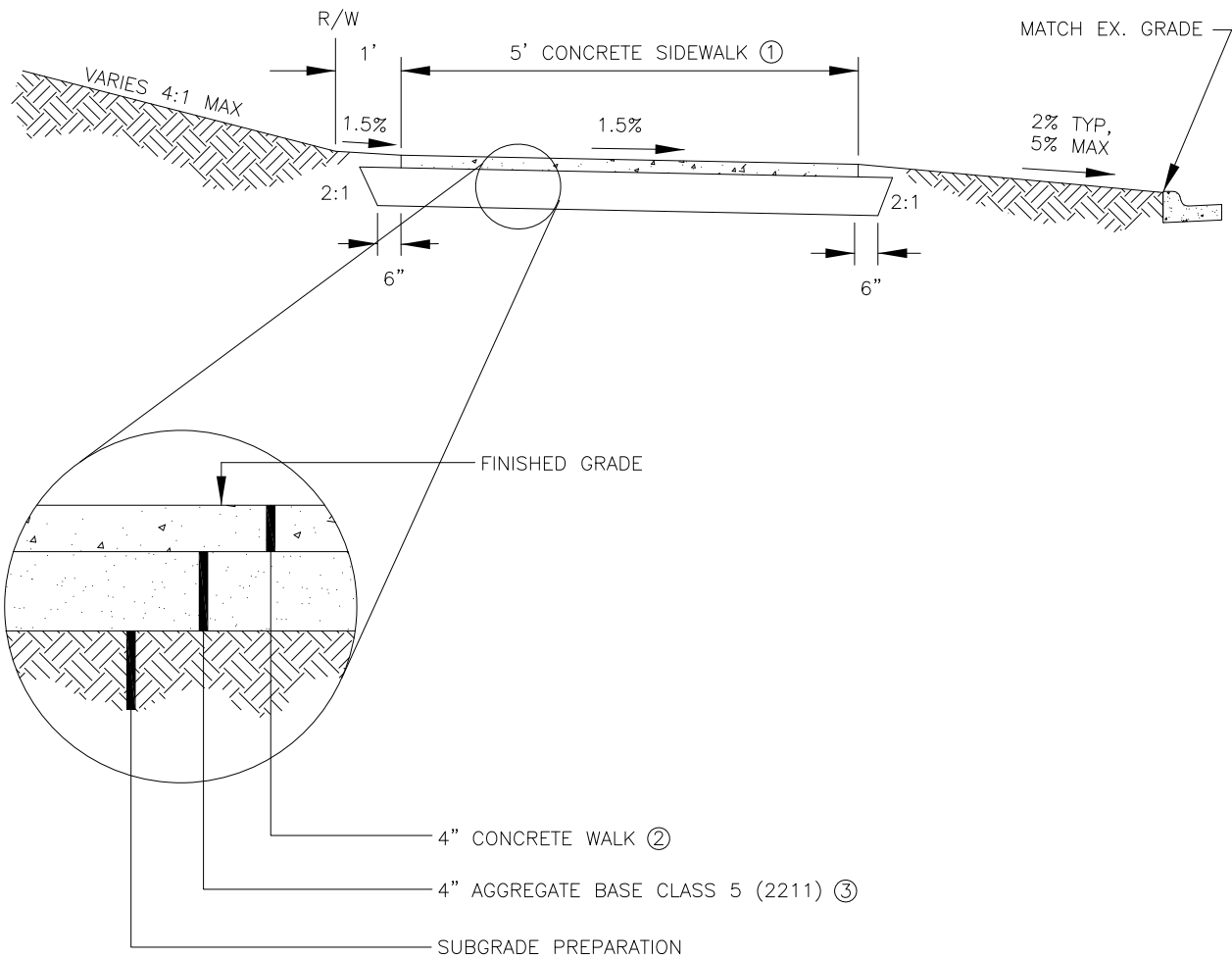
Steven L. Lillikang

PUBLIC WORKS DIRECTOR/CITY ENGINEER

APPROVED: 02/2021

REVISED: 02/2021

DETAIL NO:
3010



SIDEWALK DIMENSIONS:

- ① WIDTH - 5' (NEW) OR MATCH EXISTING (SPOT REPAIRS)
- ② DEPTH - 4" TYPICAL, 6" AT RESIDENTIAL DRIVEWAYS
6" IN NEW DEVELOPMENTS WHERE SURMOUNTABLE CURB IS CONSTRUCTED AND RESIDENTIAL DRIVEWAYS COULD BE CONSTRUCTED.
8" AT COMMERCIAL DRIVEWAYS
- ③ BASE DEPTH - 12" GRANULAR BORROW OR 4" OF CLASS 5 AGGREGATE
- ④ CONTRACTION JOINTS - 5' INTERVALS (APPROX.)
- ⑤ EXPANSION JOINTS - 100' INTERVALS (MAX.)



TYPICAL SIDEWALK

Steven L. Lillington

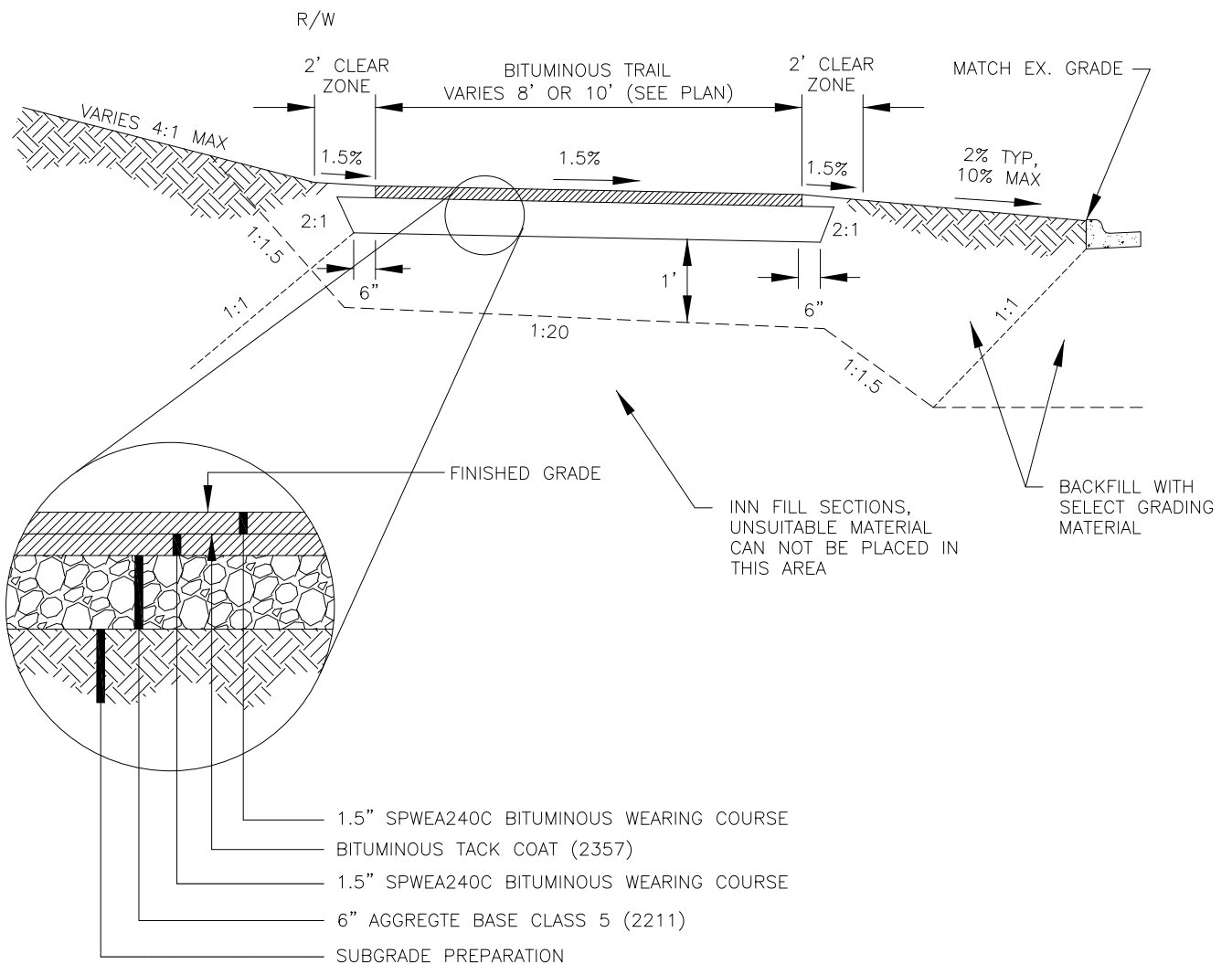
PUBLIC WORKS DIRECTOR/CITY ENGINEER

APPROVED: 05/2021

REVISED: 05/2021

DETAIL NO:

4001



NOTE:

1. SAND AND/OR GEOTEXTILE FABRIC TO BE INCLUDED AS REQUIRED BY THE CITY ENGINEER.



BITUMINOUS TRAIL

Steven L. Lillehung

PUBLIC WORKS DIRECTOR/CITY ENGINEER

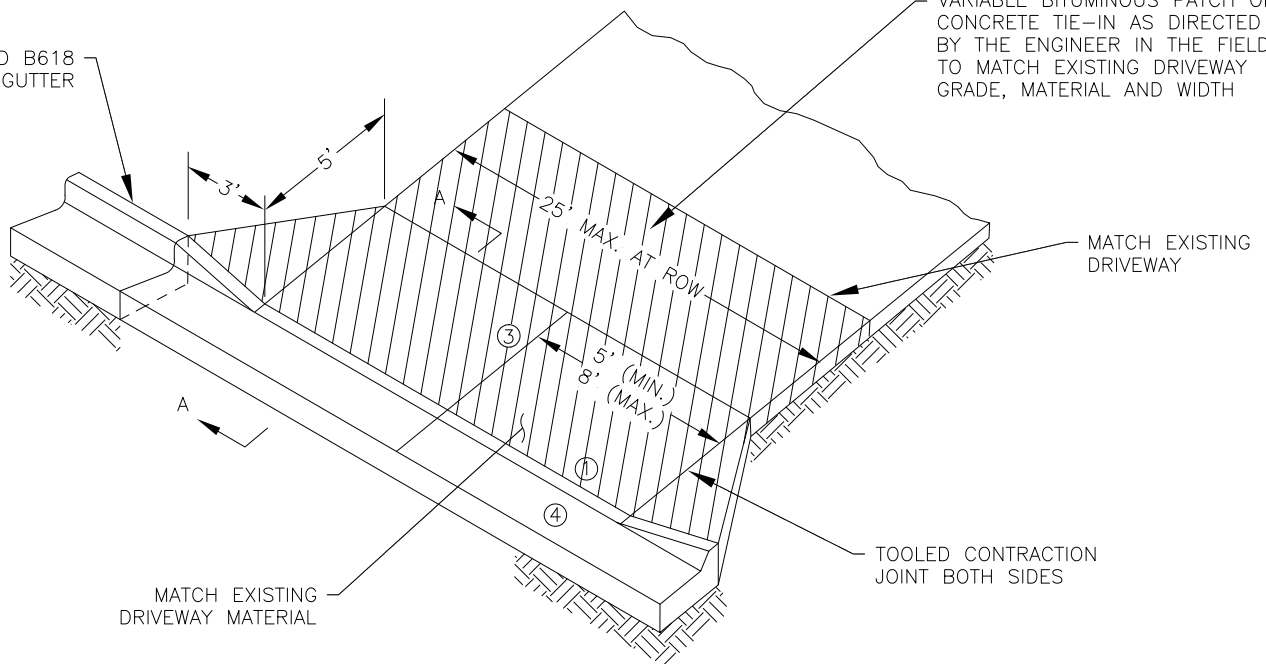
APPROVED: 02/2021

REVISED: 03/2020

DETAIL NO:
4002

STANDARD B618 CURB & GUTTER

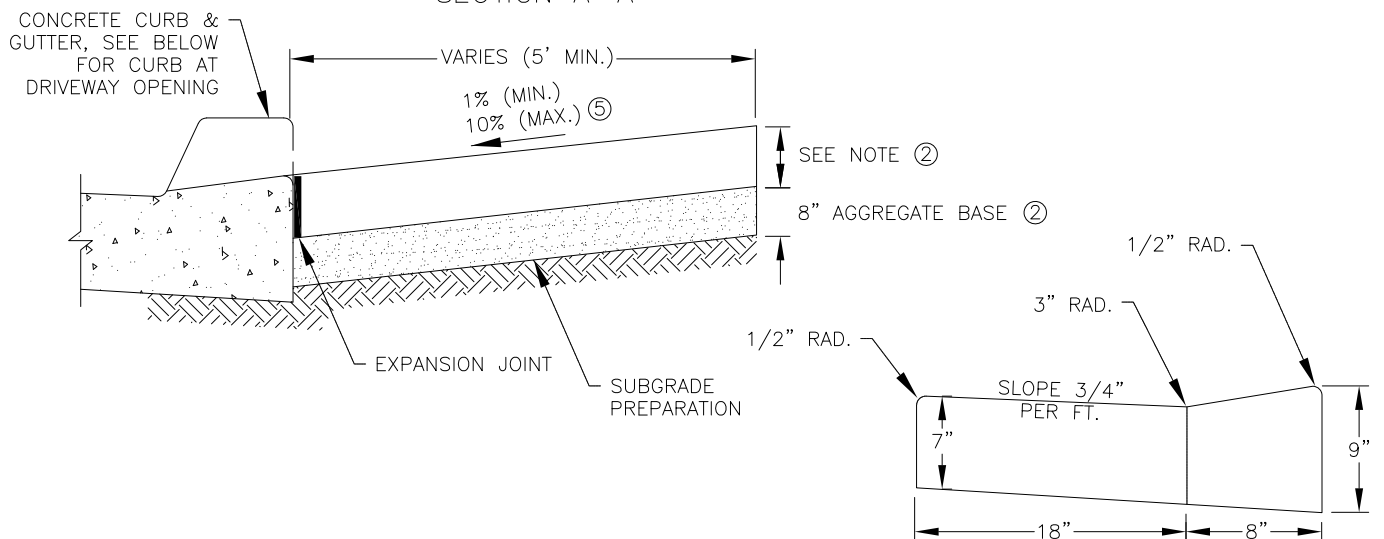
VARIABLE BITUMINOUS PATCH OR CONCRETE TIE-IN AS DIRECTED BY THE ENGINEER IN THE FIELD TO MATCH EXISTING DRIVEWAY GRADE, MATERIAL AND WIDTH



NOTES:

- ① IF DRIVEWAY MATERIAL IS CONCRETE SPACE CONTROL JOINTS SUCH THAT MAXIMUM PANEL DIMENSIONS ARE 8'X8'.
- ② PAVEMENT SECTION SHOWN MUST BE 6" MINIMUM DEPTH FOR CONCRETE AND 3" MINIMUM DEPTH FOR BITUMINOUS. MATCH THICKER SECTIONS AS DIRECTED BY THE ENGINEER. BITUMINOUS PAVEMENT SECTIONS MUST BE CONSTRUCTED IN MULTIPLE LIFTS 1.5" MINIMUM AND 2.5" MAXIMUM.
- ③ IF DRIVEWAY MATERIAL IS CONCRETE COORDINATE AND ALIGN JOINTS WITH APRON, SIDEWALK AND EXISTING CONCRETE DRIVEWAY.
- ④ CURB & GUTTER AT DRIVEWAY OPENINGS WILL BE PAID FOR AS CURB & GUTTER. REPLACEMENT OF DRIVEWAYS NEXT TO THE NEW CURB & GUTTER WILL BE PAID FOR AS THE SPECIFIED DRIVEWAY TYPE.
- ⑤ USE LESSER OF 10% OR EXISTING GRADE WHEN MATCHING EXISTING DRIVEWAY.

SECTION A-A



CURB AT DRIVEWAY OPENING



TYPICAL RESIDENTIAL DRIVEWAY

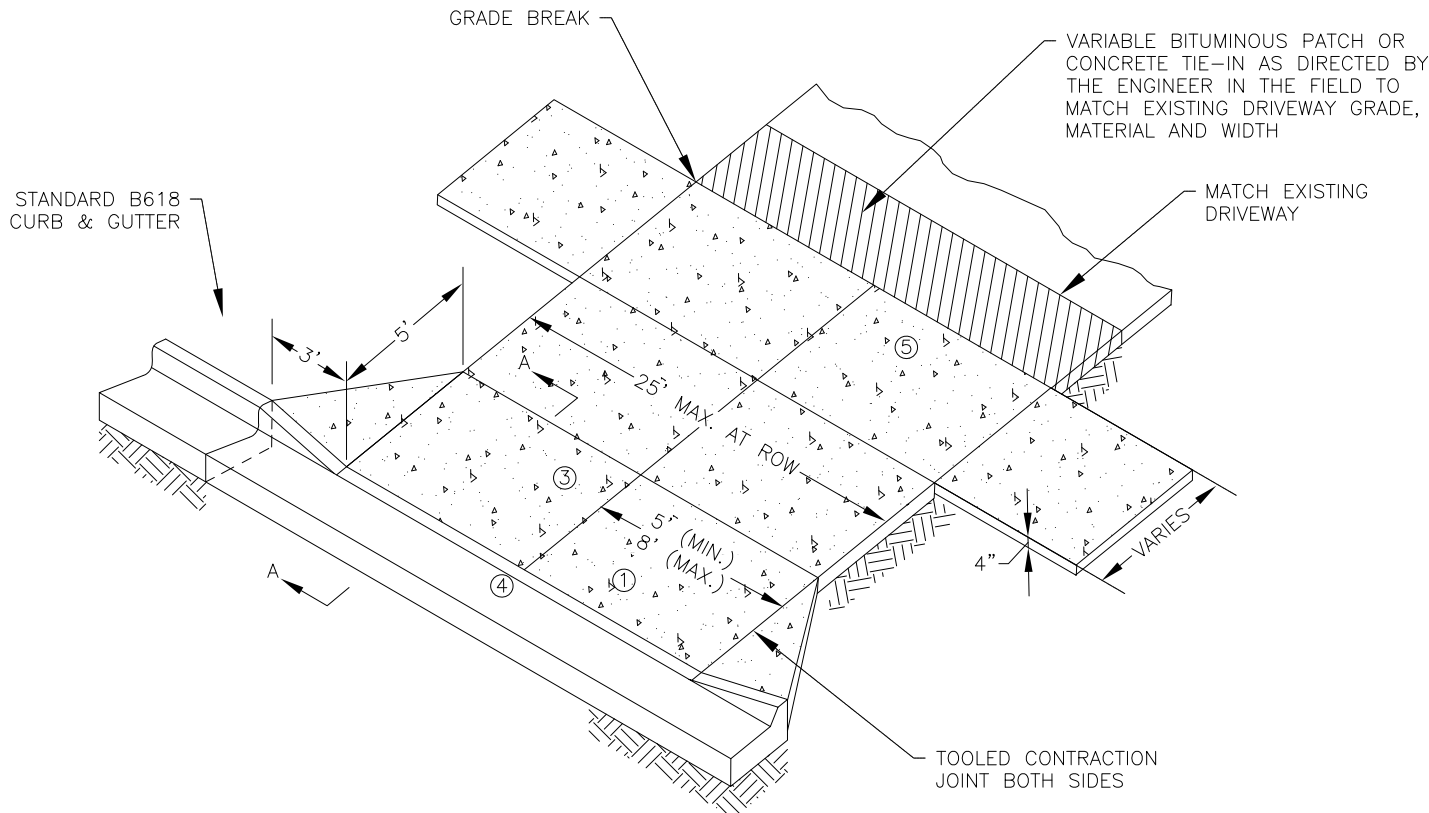
Steven L. Lillibridge

PUBLIC WORKS DIRECTOR/CITY ENGINEER

APPROVED: 02/2021

REVISED: 02/2021

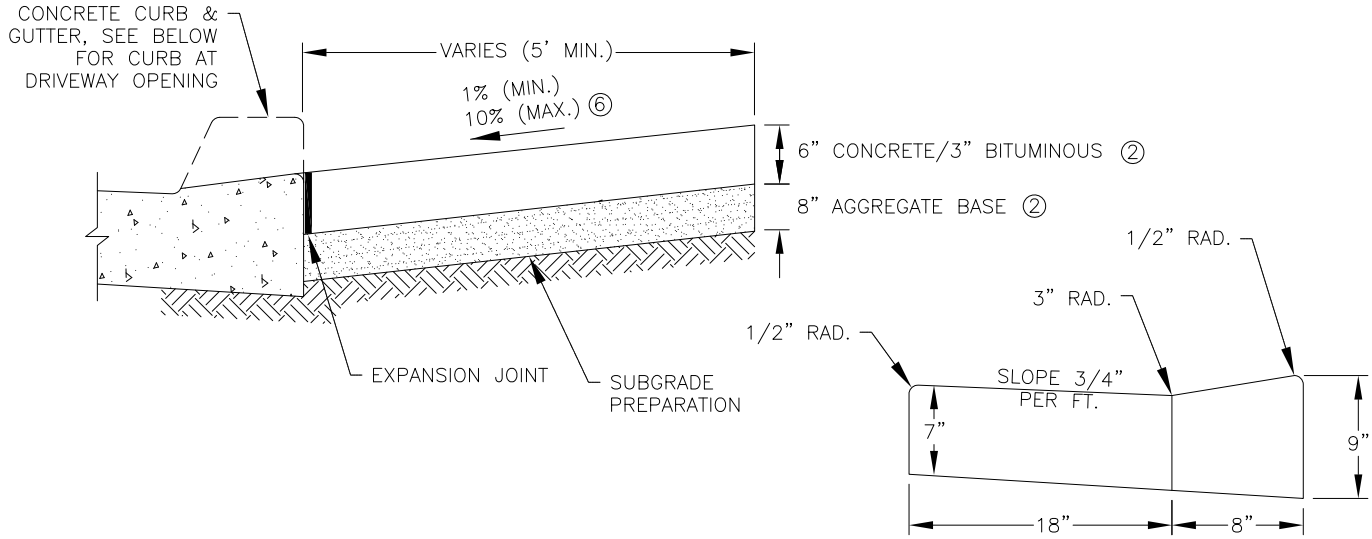
DETAIL NO:
4003



NOTES:

- ① SPACE CONTROL JOINTS SUCH THAT MAXIMUM PANEL DIMENSIONS ARE 8'x8'.
- ② PAVEMENT SECTION SHOWN MUST BE MINIMUM DEPTHS. MATCH THICKER SECTIONS AS DIRECTED BY THE ENGINEER. BITUMINOUS PAVEMENT SECTIONS MUST BE CONSTRUCTED IN MULTIPLE LIFTS 1.5" MINIMUM AND 2.5" MAXIMUM.
- ③ COORDINATE AND ALIGN JOINTS WITH APRON, SIDEWALK AND EXISTING CONCRETE DRIVEWAY.
- ④ CURB & GUTTER AT DRIVEWAY OPENINGS WILL BE PAID FOR AS CURB & GUTTER. REPLACEMENT OF DRIVEWAYS NEXT TO THE NEW CURB & GUTTER WILL BE PAID FOR AS THE SPECIFIED DRIVEWAY TYPE.
- ⑤ SIDEWALK THROUGH THE DRIVEWAY SHALL BE 6" THICK AND WILL BE PAID FOR AS CONCRETE DRIVEWAY APRON.
- ⑥ USE LESSER OF 10% OR EXISTING GRADE WHEN MATCHING EXISTING DRIVEWAY.

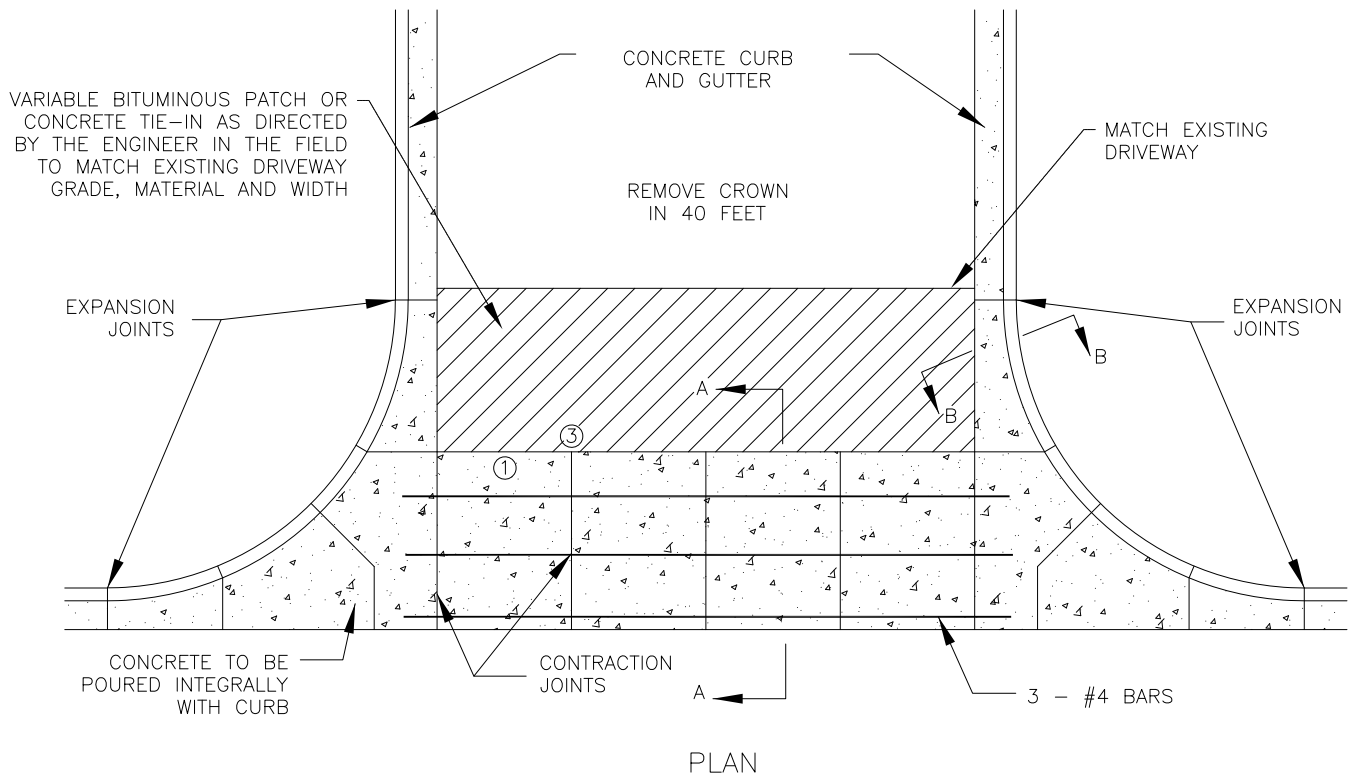
SECTION A-A



TYPICAL RESIDENTIAL DRIVEWAY WITH SIDEWALK

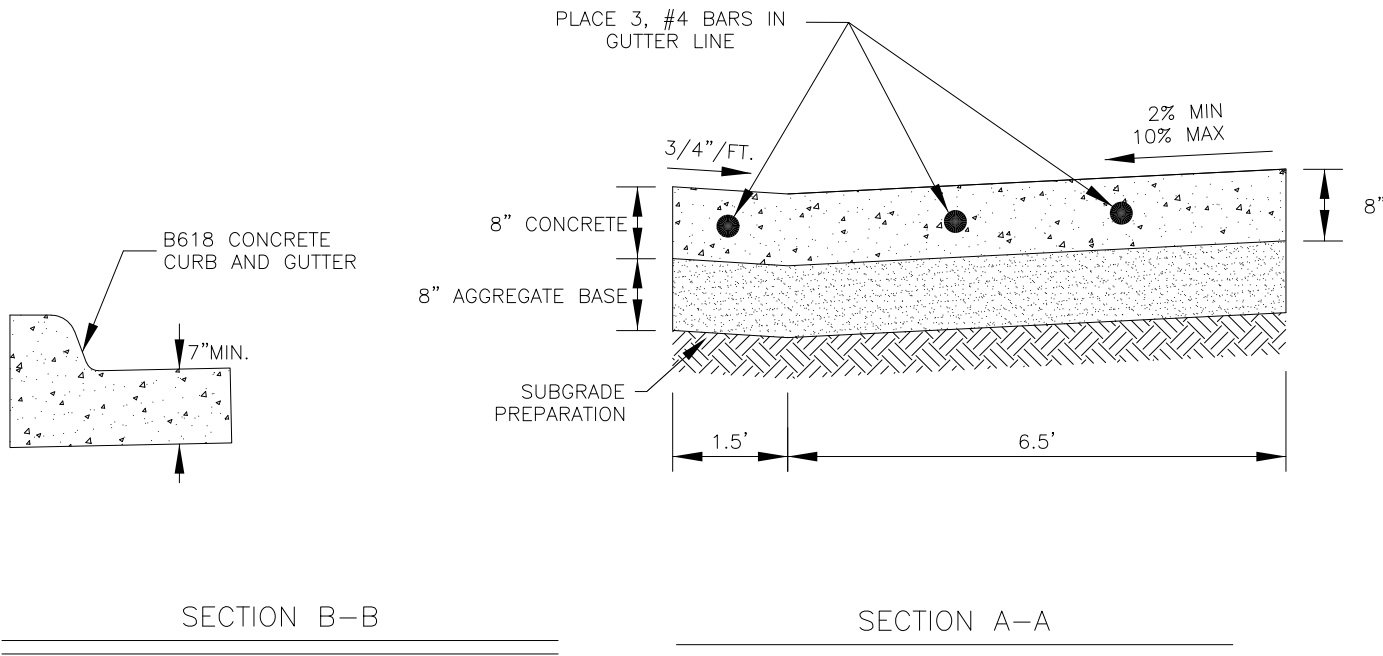
Steven L. Lillikang
PUBLIC WORKS DIRECTOR/CITY ENGINEER

APPROVED: 02/2021
REVISED: 02/2021
DETAIL NO: 4004



NOTES:

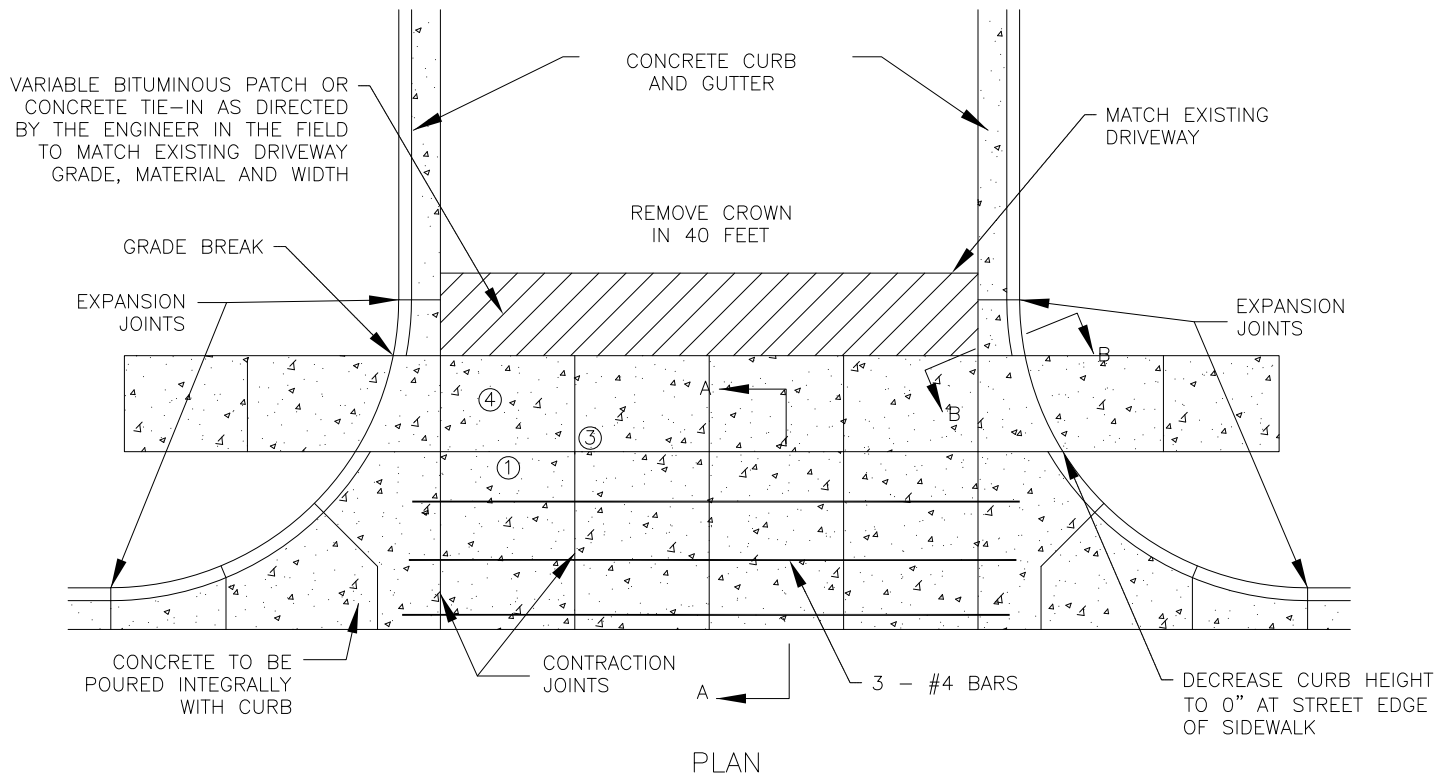
- ① SPACE CONTROL JOINTS SUCH THAT MAXIMUM PANEL DIMENSIONS ARE 8'X8'.
- ② PAVEMENT SECTION SHOWN MUST BE MINIMUM DEPTHS. MATCH THICKER SECTIONS AS DIRECTED BY THE ENGINEER. BITUMINOUS PAVEMENT SECTIONS MUST BE CONSTRUCTED IN MULTIPLE LIFTS 1.5" MINIMUM AND 2.5" MAXIMUM.
- ③ COORDINATE AND ALIGN JOINTS WITH APRON, SIDEWALK AND EXISTING CONCRETE DRIVEWAY.



TYPICAL COMMERCIAL DRIVEWAY

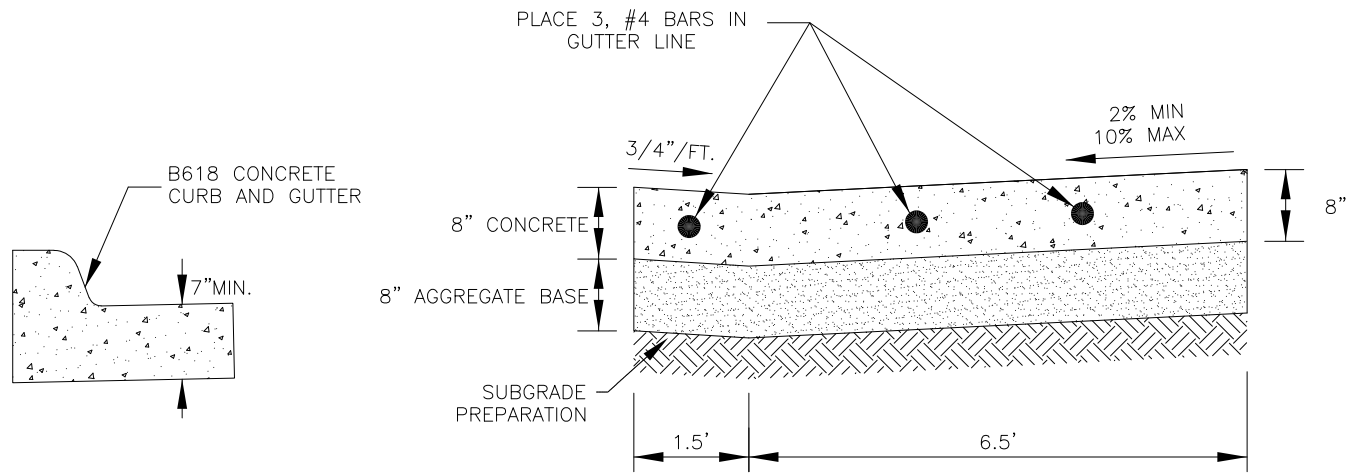
Steven L. Lillehung
PUBLIC WORKS DIRECTOR/CITY ENGINEER

APPROVED: 02/2021
 REVISED: 02/2021
 DETAIL NO:
 4005



NOTES:

- ① SPACE CONTROL JOINTS SUCH THAT MAXIMUM PANEL DIMENSIONS ARE 8'X8'.
- ② PAVEMENT SECTION SHOWN MUST BE MINIMUM DEPTHS. MATCH THICKER SECTIONS AS DIRECTED BY THE ENGINEER. BITUMINOUS PAVEMENT SECTIONS MUST BE CONSTRUCTED IN MULTIPLE LIFTS 1.5" MINIMUM AND 2.5" MAXIMUM.
- ③ COORDINATE AND ALIGN JOINTS WITH APRON, SIDEWALK AND EXISTING CONCRETE DRIVEWAY.
- ④ SIDEWALK THROUGH THE DRIVEWAY SHALL BE 8" THICK AND NOT EXCEED 1.5% CROSS SLOPE.



SECTION B-B

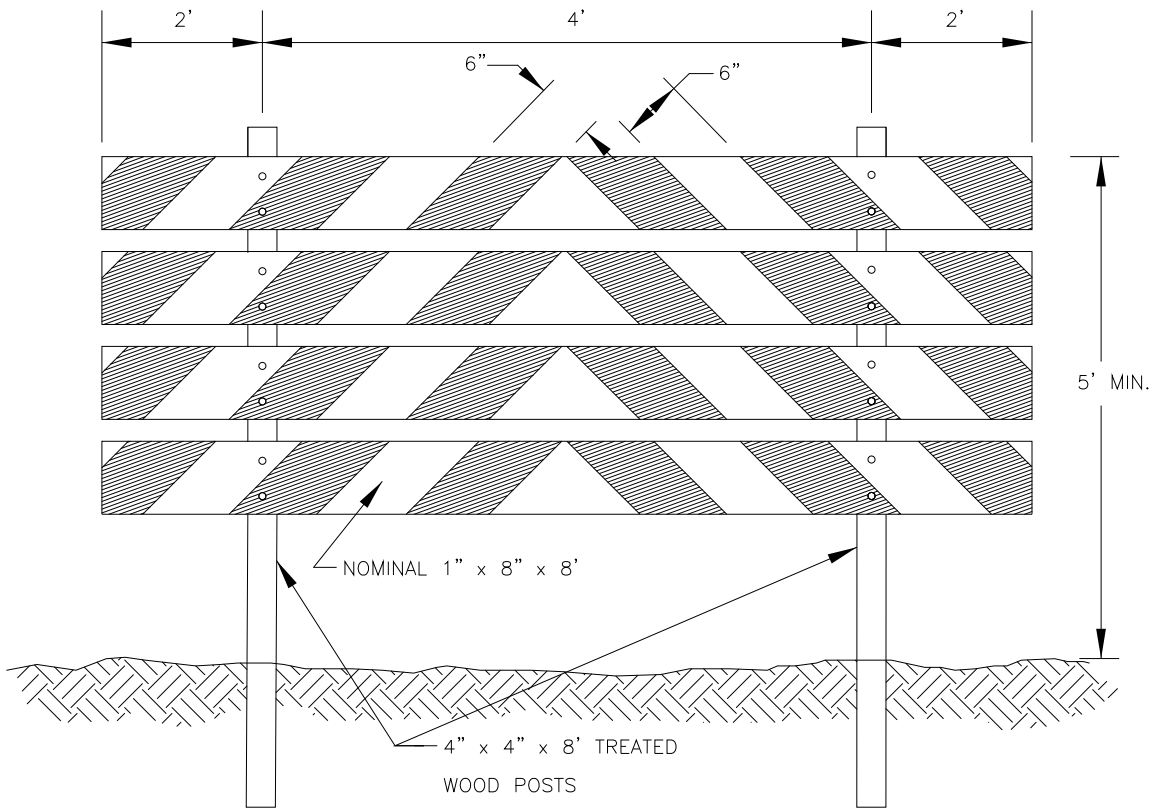
SECTION A-A



TYPICAL COMMERCIAL DRIVEWAY WITH SIDEWALK

Steven L. Lillehung
PUBLIC WORKS DIRECTOR/CITY ENGINEER

APPROVED: 02/2021
REVISED: 02/2021
DETAIL NO: 4006



1/2 " x 8" GALV. BOLTS

w/ CUT WASHER

7 1/2 "

1' 3 1/4 "

1' 3 1/4 "

2' 2" MIN.

APPROX. 2' 8"

NOTES:

1. THE BARRICADE FACE SURFACE SHALL BE RETROREFLECTIVITY IN ALTERNATE SILVER WHITE AND RED STRIPING. USING REFLECTIVE SHEETING CONFORMING TO THE REQUIREMENTS OF SPEC 3352.2A2a STANDARD NO. 1.
2. PRIOR TO INSTALLING THE REFLECTIVE SHEETING, THE BARRICADE BOARDS SHALL BE GIVEN A COMPLETE COAT OF WHITE WOOD PRIMER PAINT FOLLOWED BY A SECOND COAT OF WHITE EXTERIOR PAINT APPLIED ONLY TO THE SURFACE NOT COVERED WITH REFLECTIVE SHEETING.
3. THE BARRICADE BOARDS SHALL BE COMPLETELY PAINTED AND REFECTORIZED SHEETING APPLIED BEFORE INSTALLED ON THE POSTS.



TYPICAL BARRICADE

Steven L. Lillieburg

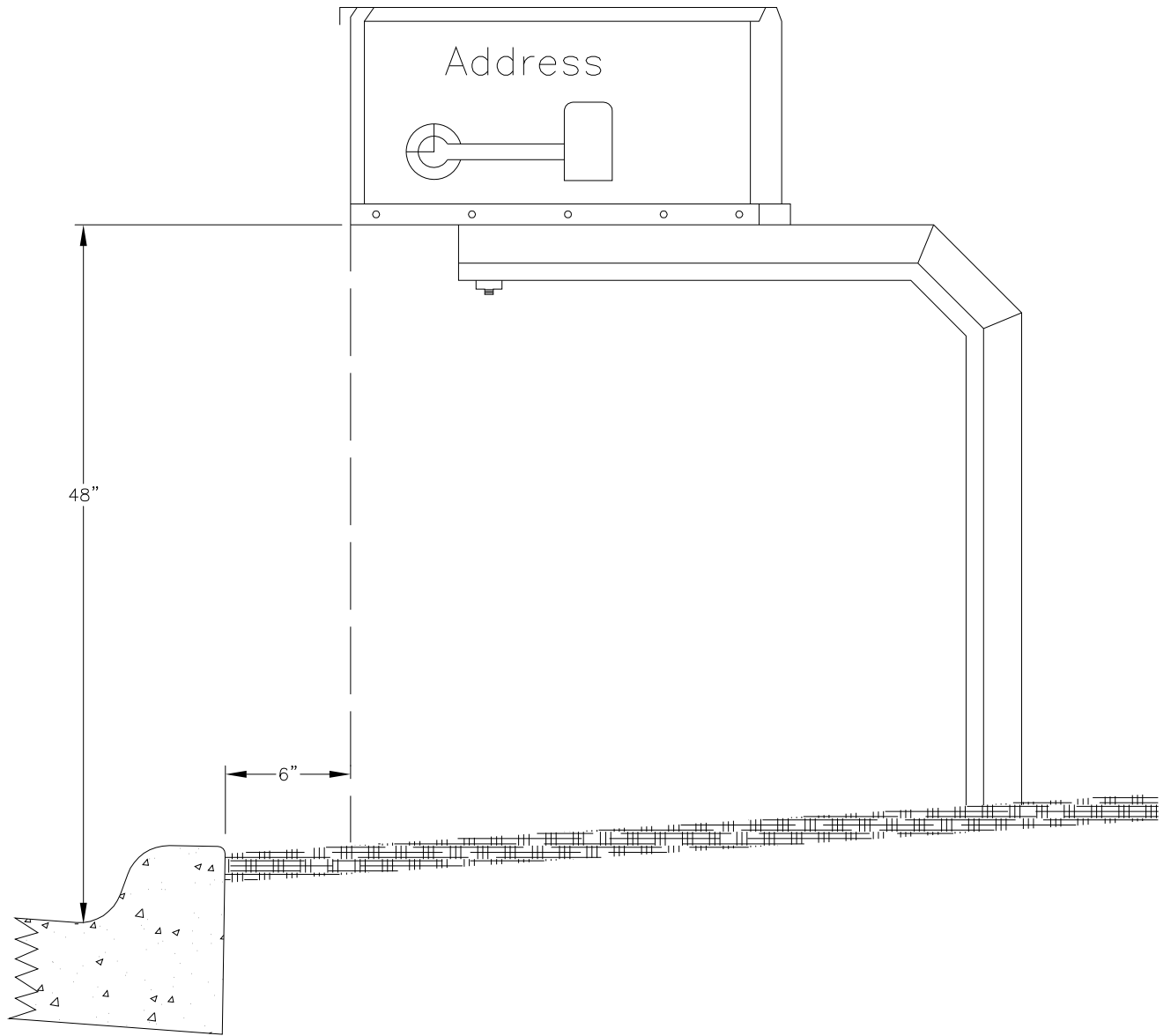
PUBLIC WORKS DIRECTOR/CITY ENGINEER

APPROVED: 02/2021

REVISED: 03/2020

DETAIL NO:

4007



MAILBOX

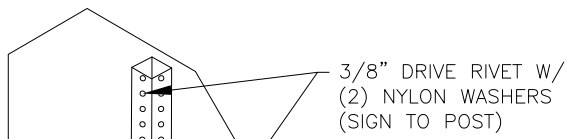
Steven L. Lillikang

PUBLIC WORKS DIRECTOR/CITY ENGINEER

APPROVED: 02/2021

REVISED: 03/2020

DETAIL NO:
4008



TRAFFIC SIGN SPECIFICATIONS

MATERIAL:

ALUMINUM SHALL BE 5052-H38 OR 6061-T6 ALLOY.
GAUGE SHALL BE: 0.080 ON THE LONGEST SIDE UP TO 30"
0.100 ON THE LONGEST SIDE OVER 30"

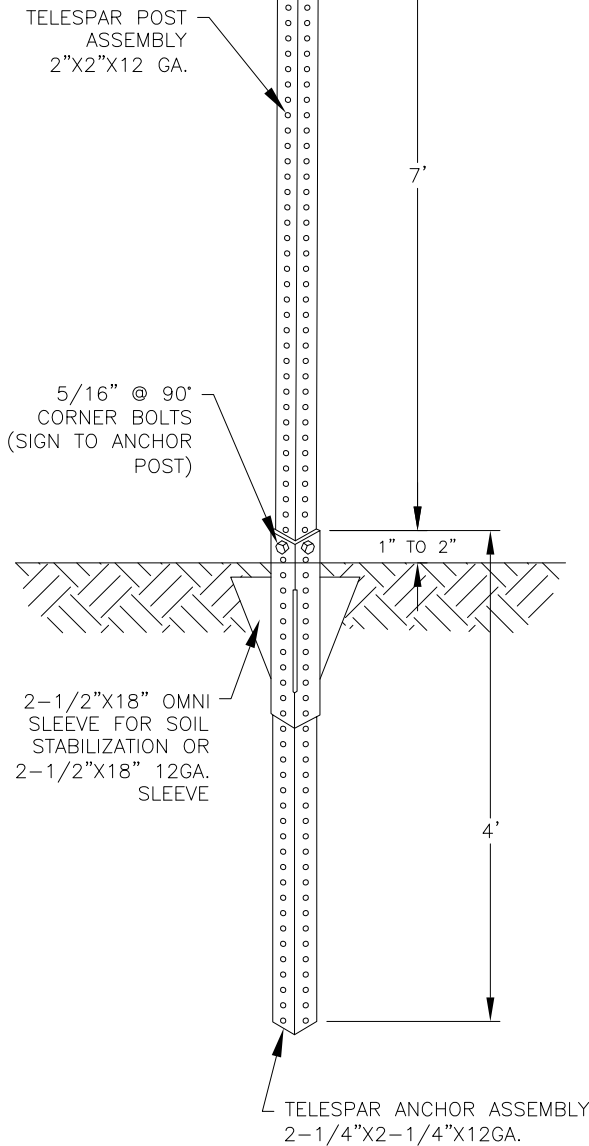
REFLECTING SHEETING SHALL BE HIGH PERFORMANCE (DG3).
ALL SIGNS CONFORM TO SECTION 3352, SIGNS AND MARKERS
STANDARD SPECIFICATIONS FOR HIGHWAY CONSTRUCTION.

BOLTS, NUTS, AND WASHERS

HARDWARE SHALL BE GRADE 5 STEEL BOLTS W/
LOCKING NUTS MINIMUM AND BE GALVANIZED OR
CADMIUM PLATED.

NOTES:

1. TYPICAL SIGN INSTALLATION WHEN STREET NAME SIGNS ARE NOT INSTALLED.
2. ALL SIGNS LOCATED IN CONCRETE MEDIANS SHALL HAVE AN ADDITIONAL BREAKAWAY SYSTEM APPROVED BY THE CITY OF SHAKOPEE PUBLIC WORKS DEPARTMENT PRIOR TO CONSTRUCTION.

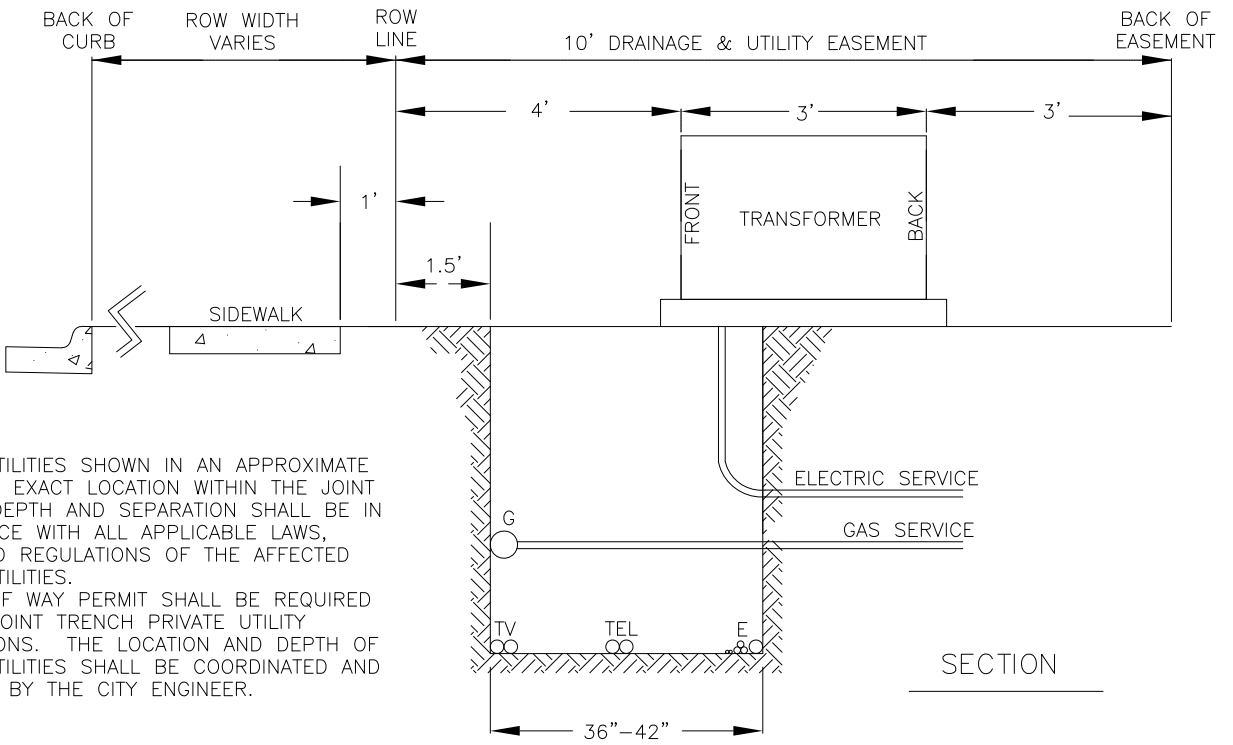
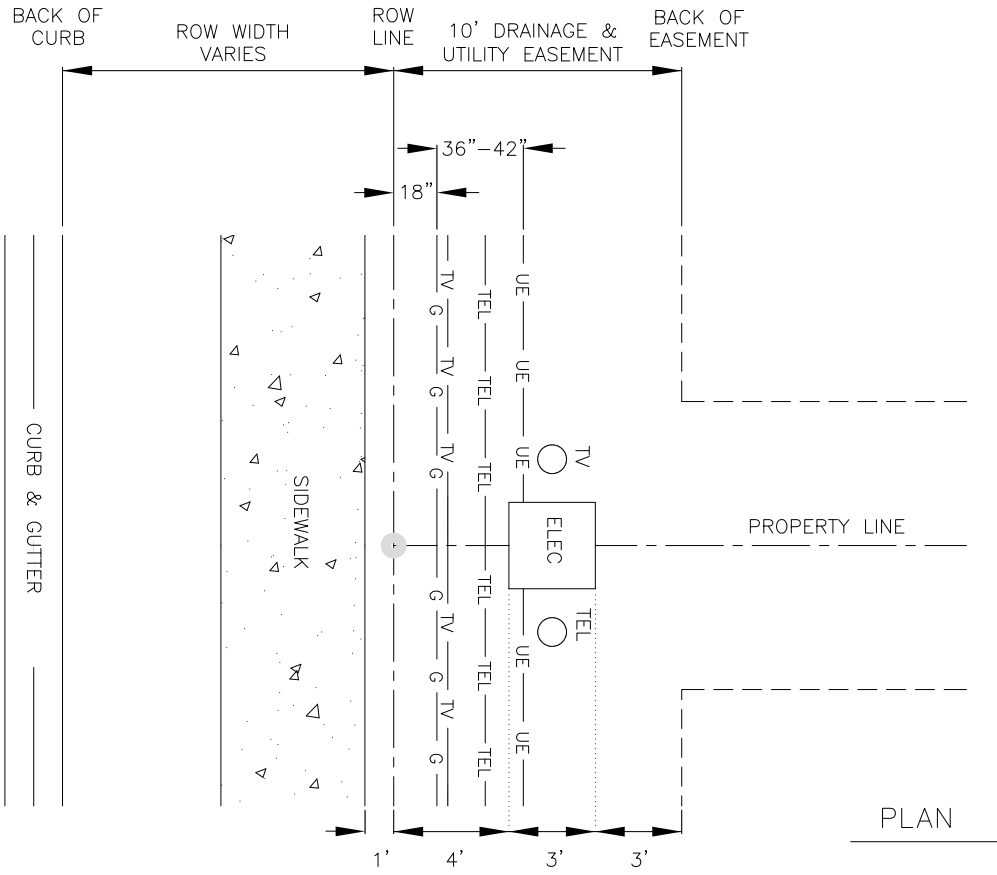


TRAFFIC SIGN INSTALLATION

Steven L. Lillehung

PUBLIC WORKS DIRECTOR/CITY ENGINEER

APPROVED: 02/2021
REVISED: 03/2020
DETAIL NO: 4009



NOTES:

1. PRIVATE UTILITIES SHOWN IN AN APPROXIMATE WAY. THE EXACT LOCATION WITHIN THE JOINT TRENCH, DEPTH AND SEPARATION SHALL BE IN ACCORDANCE WITH ALL APPLICABLE LAWS, RULES AND REGULATIONS OF THE AFFECTED PRIVATE UTILITIES.
2. A RIGHT OF WAY PERMIT SHALL BE REQUIRED FOR ALL JOINT TRENCH PRIVATE UTILITY INSTALLATIONS. THE LOCATION AND DEPTH OF PRIVATE UTILITIES SHALL BE COORDINATED AND APPROVED BY THE CITY ENGINEER.

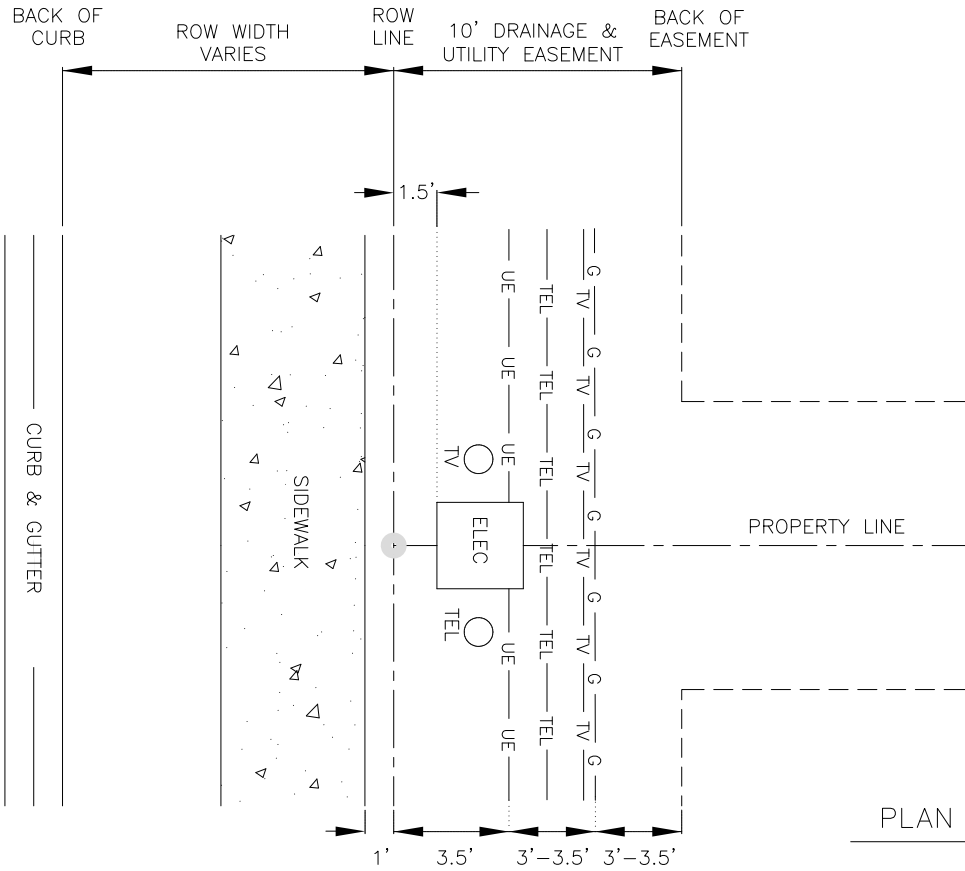


JOINT TRENCH FOR PRIVATE UTILITIES (GAS ROADSIDE)

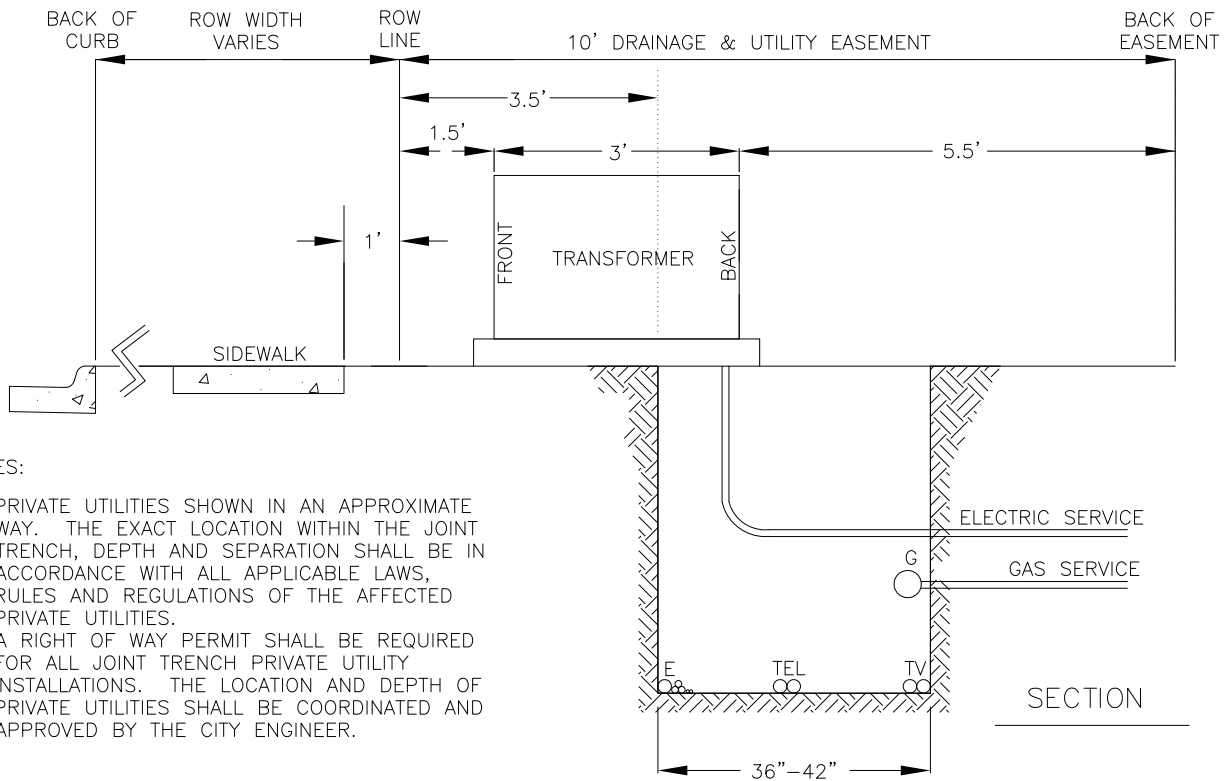
Steven L. Lillehung

PUBLIC WORKS DIRECTOR/CITY ENGINEER

APPROVED: 02/2021
REVISED: 03/2020
DETAIL NO: 5009



PLAN



SECTION

NOTES:

1. PRIVATE UTILITIES SHOWN IN AN APPROXIMATE WAY. THE EXACT LOCATION WITHIN THE JOINT TRENCH, DEPTH AND SEPARATION SHALL BE IN ACCORDANCE WITH ALL APPLICABLE LAWS, RULES AND REGULATIONS OF THE AFFECTED PRIVATE UTILITIES.
2. A RIGHT OF WAY PERMIT SHALL BE REQUIRED FOR ALL JOINT TRENCH PRIVATE UTILITY INSTALLATIONS. THE LOCATION AND DEPTH OF PRIVATE UTILITIES SHALL BE COORDINATED AND APPROVED BY THE CITY ENGINEER.



JOINT TRENCH FOR PRIVATE UTILITIES (GAS HOUSE SIDE)

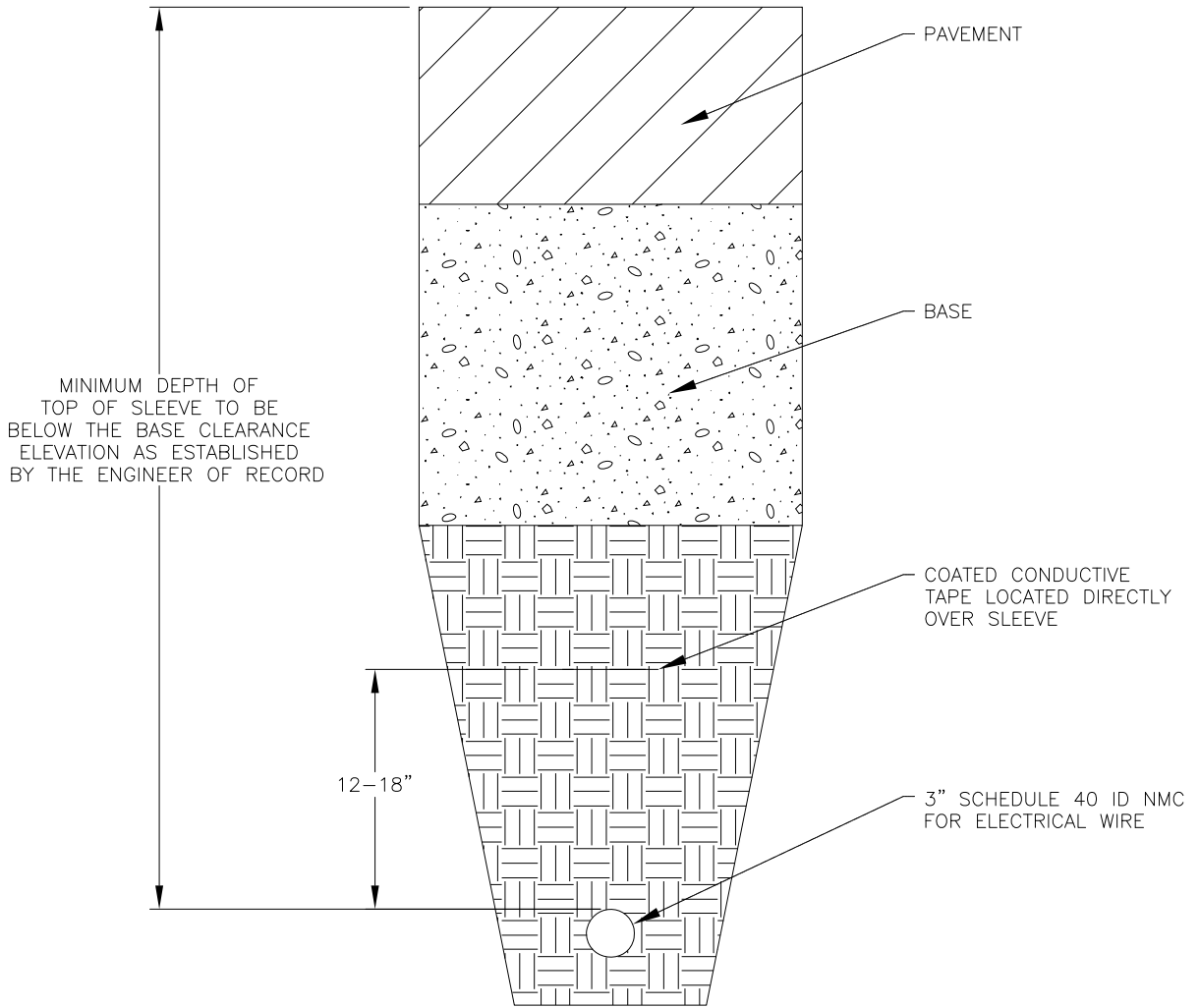
Steven L. Lillehung

PUBLIC WORKS DIRECTOR/CITY ENGINEER

APPROVED: 02/2021

REVISED: 03/2020

DETAIL NO:
5010



IRRIGATION CONDUIT AND STREET LIGHT CONDUIT

Steven L. Lillikang

PUBLIC WORKS DIRECTOR/CITY ENGINEER

APPROVED: 02/2021
 REVISED: 03/2020
 DETAIL NO:
 5011